

JET

JWP-12

THICKNESS PLANER

Original:

GB
Operating Instructions

Translations:

D
Gebrauchsanleitung

F
Mode d'emploi



JPW (Tool) AG

Tämplerlistrasse 5
CH-8117 Fällanden
Switzerland

Phone +41 44 806 47 48

Fax +41 44 806 47 58



www.jettools.com

M-10000840M

2014-07

CE-Conformity Declaration
CE-Konformitätserklärung
Déclaration de Conformité CE

Product / Produkt / Produit:

Thickness Planer
Dickenhobelmaschine
Raboteuse
JWP-12

Brand / Marke / Marque:

JET

Manufacturer / Hersteller / Fabricant:

JPW (Tool) AG, Tämperlistrasse 5, CH-8117 Fällanden
Schweiz / Suisse / Switzerland

We hereby declare that this product complies with the regulations
Wir erklären hiermit, dass dieses Produkt der folgenden Richtlinie entspricht
Par la présente, nous déclarons que ce produit correspond aux directives suivantes

2006/42/EC

Machinery Directive
Maschinenrichtlinie
Directive Machines

2014/30/EU

electromagnetic compatibility
elektromagnetische Verträglichkeit
compatibilité électromagnétique

designed in consideration of the standards
und entsprechend folgender zusätzlicher Normen entwickelt wurde
et été développé dans le respect des normes complémentaires suivantes

EN ISO 12100:2010

61029-1:2009+A11:2010

EN 61029-2-3:2011

EN 55014-1:2006+A2:2011

EN 55014-2:2015

EN 61000-3-2:2014

EN 61000-3-11:2001

Responsible for the Documentation / Dokumentations-Verantwortung / Responsabilité de Documentation:

Hansjörg Meier

Head Product-Mgmt. / Leiter Produkt-Mgmt. / Resp. Gestion des Produits
JPW (Tool) AG



2016-05-24 Alain Schmid, General Manager

JPW (Tool) AG, Tämperlistrasse 5, CH-8117 Fällanden
Schweiz / Suisse / Switzerland

GB - ENGLISH

Operating Instructions

Dear Customer,

Many thanks for the confidence you have shown in us with the purchase of your new JET-machine. This manual has been prepared for the owner and operators of a JET JWP-12 planer to promote safety during installation, operation and maintenance procedures. Please read and understand the information contained in these operating instructions and the accompanying documents. To obtain maximum life and efficiency from your machine, and to use it safely, read this manual thoroughly and follow instructions carefully.

...Table of Contents

- 1. Declaration of conformity**
- 2. Warranty**
- 3. Safety**
 - Authorized use
 - General safety notes
 - Remaining hazards
- 4. Machine specifications**
 - Technical data
 - Noise emission
 - Contents of delivery
 - Description of machine
- 5. Transport and start up**
 - Transport and installation
 - Assembly
 - Mains connection
 - Dust connection
 - Starting operation
- 6. Machine operation**
- 7. Changing the knives**
- 8. Maintenance and adjustment**
- 9. Troubleshooting**
- 10. Environmental protection**
- 11. Available accessories**

1. Declaration of conformity

On our own responsibility we hereby declare that this product complies with the regulations* listed on page 2. Designed in consideration with the standards**. CE type examination*** conducted by****

2. Warranty

The Seller guarantees that the supplied product is free from material defects and manufacturing faults. This warranty does not cover any defects which are caused, either directly or indirectly, by incorrect use, carelessness, accidental damage, repair, inadequate maintenance or cleaning and normal wear and tear.

Guarantee and/or warranty claims must be made within twelve months from the date of purchase (date of invoice). Any further claims shall be excluded.

This warranty includes all guarantee obligations of the Seller and replaces all previous declarations and agreements concerning warranties.

The warranty period is valid for eight hours of daily use. If this is exceeded, the warranty period shall be reduced in proportion to the excess use, but to no less than three months.

Returning rejected goods requires the prior express consent of the Seller and is at the Buyer's risk and expense.

Further warranty details can be found in the General Terms and Conditions (GTC). The GTC can be viewed at www.jettools.com or can be sent by post upon request.

The Seller reserves the right to make changes to the product and accessories at any time.

3. Safety

3.1 Authorized use

This machine is designed for planing wood and wood derived materials. Machining of other materials is not permitted and may be carried out in specific cases only after consulting with the manufacturer.

The workpiece must allow to safely be loaded, supported and guided.

The proper use also includes compliance with the operating and maintenance instructions given in this manual.

The machine must be operated only by persons familiar with its operation, maintenance and repair and who are familiar with its hazards.

The required minimum age must be observed

The machine must only be used in a technically perfect condition

When working on the machine, all safety mechanisms and covers must be mounted.

In addition to the safety requirements contained in this operating instructions and your country's applicable regulations, you should observe the generally recognized technical rules concerning the operation of woodworking machines.

Any other use exceeds authorization.

In the event of unauthorized use of the machine, the manufacturer renounces all liability and the responsibility is transferred exclusively to the operator.

3.2 General safety notes

Woodworking machines can be dangerous if not used properly. Therefore the appropriate general technical rules as well as the following notes must be observed.



Read and understand the entire instruction manual before attempting assembly or operation.

Keep this operating instruction close by the machine, protected from dirt and humidity, and pass it over to the new owner if you part with the tool.

No changes to the machine may be made.

Daily inspect the function and existence of the safety appliances before you start the machine.

Do not attempt operation in this case, protect the machine by unplugging the mains cord.

Remove all loose clothing and confine long hair. Before operating the machine, remove tie, rings, watches, other jewellery, and roll up sleeves above the elbows.

Wear safety shoes; never wear leisure shoes or sandals.

Always wear the approved working outfit

Do **not** wear gloves while operating this machine.

Control the stopping time of the machine, it may not be longer than 10 seconds.

Remove cut and jammed workpieces only when motor is turned off and the machine is at a complete standstill.

Install the machine so that there is sufficient space for safe operation and workpiece handling.

Keep work area well lighted.

The machine is designed to operate in closed rooms and must be placed stable on firm and levelled ground.

Make sure that the power cable does not impede work and cause people to trip.

Keep the floor around the machine clean and free of scrap material, oil and grease.

Stay alert!

Give your work undivided attention. Use common sense. Do not operate the machine when you are tired.

Keep an ergonomic body position. Maintain a balanced stance at all times.

Pull the mains plug if the tool is not in use.

Pull the mains plug prior to any maintenance or change of cutting knives.

Before starting the machine make sure that operating and measuring tools are removed from the machine.

Do not operate the machine when you are tired.

Do not operate the machine under the influence of drugs, alcohol or any medication. Be aware that medication can change your behaviour.

Never reach into the machine while it is operating or running down.

Never leave a running machine unattended. Before you leave the workplace switch off the machine.

Keep children and visitors a safe distance from the work area.

Do not operate the electric tool near inflammable liquids or gases. Observe the fire fighting and fire alert options, for example the fire extinguisher operation and place.

Do not use the machine in a damp environment and do not expose it to rain.

Wood dust is explosive and can also represent a risk to health.

Dust from some tropical woods in particular, and from hardwoods like beach and oak, is classified as a carcinogenic substance.

Always use a suitable dust extraction device

Before machining, remove any nails and other foreign bodies from the workpiece.

Never operate with the guards not in place – serious risk of injury!

All anti-kickback fingers must automatically return to their rest position (downwards)

Never reach with your hands into the machine when guiding or sorting the workpiece.

Use a feeding aid (push wood) if you want to feed short stock into the machine. Stock must have a minimum length of 200mm.

Specifications regarding the maximum or minimum size of the workpiece must be observed.

Do not remove chips and workpiece parts until the machine is at a complete standstill.

Always use sharp cutter knives.

Do not machine more than two workpieces at the same time.

To plane stock which surfaces are not parallel, use suitable feeding aids (make fitting templates).

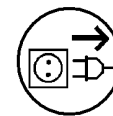
Use roller supports on both sides of the planer when working long stock.

Keep planer bed surface clean, in particular remove resin residue.

Do not stand on the machine.

Connection and repair work on the electrical installation may be carried out by a qualified electrician only.

Have a damaged or worn cord replaced immediately.



Make all machine adjustments or maintenance with the machine unplugged from the power source.

3.3 Remaining hazards

When using the machine according to regulations some remaining hazards may still exist

Touching the cutter block in the machining area can cause injury.

Drawing-in/trapping hazard by power feed mechanism.

Squeezing hazard by workpiece power-outfeed.

Thrown workpiece parts can lead to injury

Sawdust and noise can be health hazards. Be sure to wear personal protection gear such as safety goggles and ear protection. Use a suitable dust exhaust system.

The use of incorrect mains supply or a damaged power cord can lead to injuries caused by electricity.

4. Machine specifications

4.1 Technical data

Planing width	max 318 mm
Planing thickness	6 to 153 mm
Depth of cut	max. 2,5 mm
Number of knives	2
Cutterhead diameter	48 mm
No-load speed n_0	9000 rpm
Cuts per minute	18000
Cutter knife length	319mm
Cutter knife width	18mm
Cutter knife thickness	3mm
Feed rate	7 m/min
Dust port diameter	100mm
Weight	30 kg
Mains	230V ~1L/N/PE 50-60Hz
Motor input power	1800W
Reference current	8 A
Extension cord	H05W-F 3G1mm ²
Installation fuse protection	16A

4.2 Noise emission

(Inspection tolerance 4 dB)

Acoustic power level
(according to EN 3746):
Idling LwA 101,5 dB(A)

Acoustic pressure level
(according to EN 11202):
Idling LpA 88,7 dB(A)

The specified values are emission levels and are not necessarily to be seen as safe operating levels. This information is intended to allow the user to make a better estimation of the hazards and risks involved.

4.3 Content of delivery

Planer
Dust chute 100mm
Thickness crank
Knife setting gauge
4 Rubber feet
Assembly kit
Operating manual
Spare parts list

4.4 Description of machine

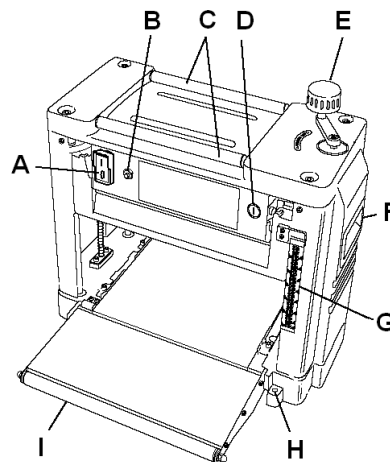


Fig 1

- A....ON/OFF Switch
- B....Overload cut-off
- C....Transport rollers
- D....Motor brushes
- E....Thickness crank
- F....Carrying handles
- G....Thickness scale
- H....Mounting holes
- I.....Support infeed roller

5. Transport and start up

5.1 Transport and installation

The machine is designed to operate in closed rooms and must be placed stable on firm and levelled ground.

The machine can be bolted down if required.

Fold the infeed and outfeed rollers up when the planer is not in use and during storing.

Wrap the power cord around the hangers under the infeed table(Fig2)

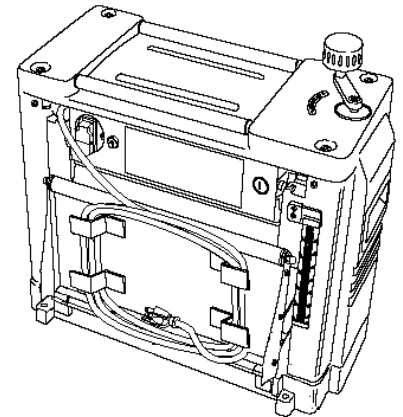


Fig 2

For packing reasons the machine is not completely assembled.

5.2 Assembly

If you notice any transport damage while unpacking, notify your supplier immediately. Do not operate the machine!

Dispose of the packing in an environmentally friendly manner.

Clean all rust protected surfaces with a mild solvent.

Install rubber feet (J) and Thickness crank (B).

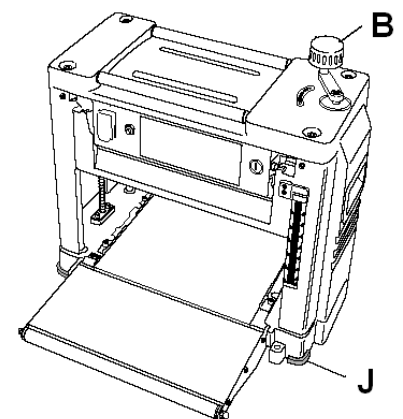


Fig 3

5.3 Mains connection

Mains connection and any extension cords used must comply with applicable regulations.

The mains voltage must comply with the information on the machine licence plate.

The mains connection must have a 16 A surge-proof fuse.

Only use connection cables marked H05VV-F

Connections and repairs to the electrical equipment may only be carried out by qualified electricians.

5.4 Dust connection

Before initial operation, the machine must be connected to a dust extractor.

5.5 Starting operation

You can start and stop the machine with the ON/OFF-button(A).

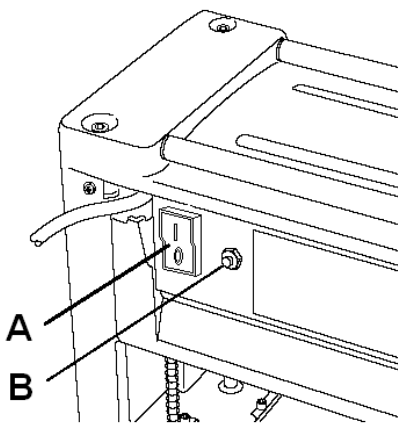


Fig 4

In case of machine overload the motor overload cut-off (B) will react. After appr.5 min of cooling the overload cut off can be reset.

Attention: The machine will start when you reset the overload push button!

6. Machine operation

Correct operating position:

To feed the workpiece into the machine, position yourselves offset to one side of the feed opening.

Workpiece handling:

Adjust the planer table to the workpiece thickness.

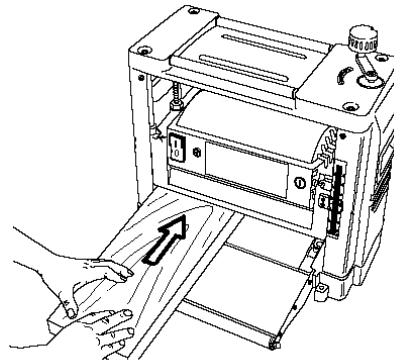


Fig 5

Feed workpiece slowly and straight into the thicknesser. It will then be automatically fed through the thicknesser.

Guide workpiece straight through the thicknesser.

To remove the workpiece from the machine, position yourselves offset to one side of the outfeed opening.

Support long workpieces with helping roller stands.

Operating notes:

Always use sharp cutter knives!

Feed with thicker workpiece end at the front, hollow side downward.

Max. 2,5mm depth of cut.

If a workpiece gets stuck raise the cutterhead by app. 1mm (1 crank turn).

Plane the stock with the grain, if possible (Fig 6).

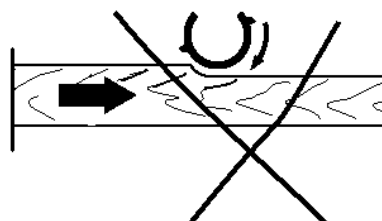


Fig 6

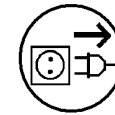
You get a better surface when planing several passes with less chip removal.

Switch machine off if no further planing is to be done immediately afterwards.

Workpieces shorter than 250mm may not be processed.

Machine max. 2 workpieces at one time. Feed on both outer sides.

7. Changing cutter knives



The cutter knives may only be changed when the mains plug is pulled!

Risk of personal injury by cuts from the cutter knives. Wear suitable gloves when changing cutter knives.

Knife removal:

Raise the cutterhead to its highest position.

Remove the thickness crank (E) and the planer cover screws(K).

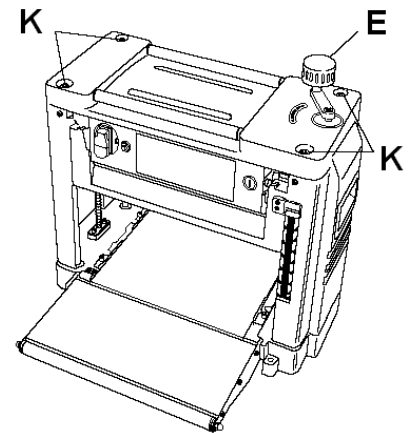


Fig 7

Remove the planer cover.

Remove the cutter block cover (L)

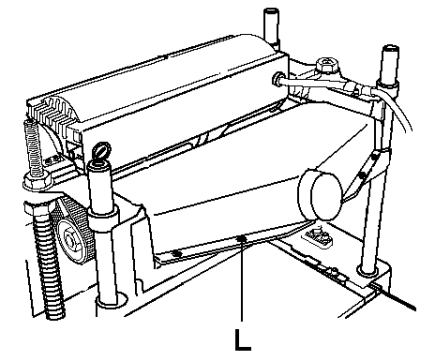


Fig 8

Turn the hex-head bolts (M) of the cutter knife lock bar all the way in (wear gloves!).

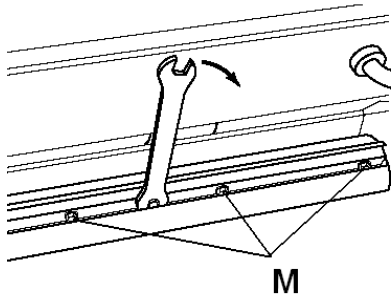


Fig 9

At first remove cutter knife, then cutter knife lock bar from the cutter block.

Clean all surfaces of cutter block and cutter knife lock bar with a suitable solvent (do not use cleaning agents that could corrode the light metal components).

Knife installation:

Use only suitable cutter knives conforming the technical specification and EN 847-1

Unsuitable, incorrectly mounted, dull, cracked or bent cutter knives can work loose or increase the risk of kickback considerably.

Always replace both cutter knives at once.

The cutter knife lock bars are balanced to each other and thus can randomly be placed.

Only cutter knives marked "HSS" or "HS" can be resharpened! When resharpening, remove the same amount of material from both cutter knives, otherwise a balancing error may cause damage to the bearings.

Cutter knives can only be resharpened down to a minimum width of 14 mm.

Use genuine Jet replacement parts only.

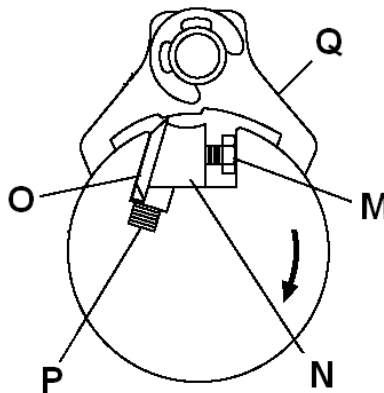


Fig 10

Place the cutter knife lockbar (N) in the cutterblock's groove.

Make sure the springs (P) are in place.

Turn the hex-head bolts so far that the cutter knife will just slide in. Insert a sharp cutter knife (O) and adjust position with the cutter knife lockbar, so that neither protrudes over the edge of the cutter block.

Use the knife setting gauge (Q) to adjust the knife.

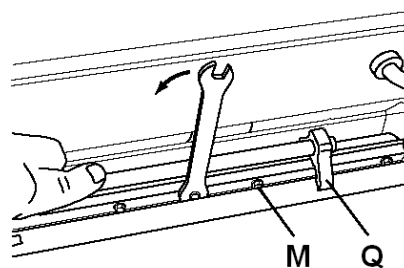


Fig 11

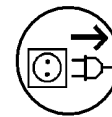
To tighten the cutter knife, turn the hex-head bolts (M) of the cutter knife lockbar.

Start tightening with the two outer bolts. Do not extend tool when tightening the bolts, do not tighten bolts by striking the wrench.

Install the cutter block cover, planer cover and adjustment crank after knife changing has been completed.

Connect to the dust extraction system.

8. Maintenance and inspection



Make all machine adjustments or maintenance with the machine unplugged from the power source.

Clean the machine regularly

Inspect the proper function of the dust extraction daily.

Defective safety devices must be replaced immediately.

Before starting any work, check the mobility of the anti-kickback fingers (must fall down by their own weight).

Changing of brushes:

Disconnect from power source, unplug!

Inspect the brushes after 50 hours of use.

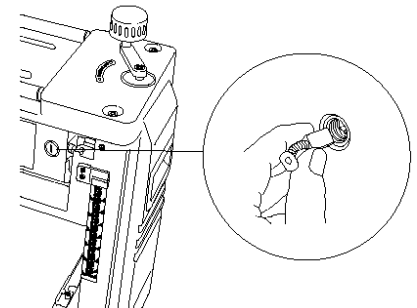


Fig 12

If the brushes are worn to 3mm replace them.

(Jet Article No: JWP12-096...2 pcs needed)

9. Trouble shooting

Carry out maintenance, cleaning and repair work only when the motor is switched off and machine has come to a full stop. Pull the mains plug.

All protective and safety devices must be re-attached immediately after completed cleaning, repair and maintenance work.

Repair and maintenance work on the electrical system may only be carried out by a qualified electrician.

Motor doesn't start

*No electricity- check mains and fuse.

*Defective switch, motor or cord- consult an electrician.

*Overload has reacted-
Wait 5 minutes, push overload
button and start again.

Machine vibrates excessively

*Stand on uneven floor-
adjust stand for even support.

*knives of different size-
all knives must have same width.

*damaged knife-
replace knives set immediately

Cutting surfaces is bad

*dull knives-
sharpen knives

*Cutter knives blocked by chips-
remove chips.

*Too heavy a cut-
make several passes.

*knives cutting against grain-
plane workpiece in opposite
direction.

*workpiece inhomogeneous

*Moisture content too high

Snipe

*Inadequate support of long boards-
use extension roller.

*dull knives-
sharpen knives.

Unparallel side to side

*knife projection not uniform-
adjust knives with setting gauge.

Workpiece jams

*Too much material removed in one
pass-
make several passes.

Cutterhead difficult to adjust

*Lack of lubrication-
lubricate corner posts and screws.

Poor workpiece feeding

*motor belt slipping-
tighten or replace belt.

*Resin build up on planer bed-
clean and wax planer bed.

*surface of feed rollers too smooth-
lightly roughen with sandpaper.

10. Environmental protection

Protect the environment.

Your appliance contains valuable
materials which can be recovered or
recycled. Please leave it at a
specialized institution.

11. Available accessories

Stock number 10000841

Set of 2 high speed steel (HSS)
reversible knives

Stock number 10000842

Open machine stand

Stock number 709207

Foldable roller stand

DE - DEUTSCH

Gebrauchsanleitung

Sehr geehrter Kunde,

vielen Dank für das Vertrauen, welches Sie uns beim Kauf Ihrer neuen JET-Maschine entgegengebracht haben. Diese Anleitung ist für den Inhaber und die Bediener zum Zweck einer sicheren Inbetriebnahme, Bedienung und Wartung der Dickenhobelmaschine JWP-12 erstellt worden. Beachten Sie bitte die Informationen dieser Gebrauchsanleitung und der beiliegenden Dokumente. Lesen Sie diese Anleitung vollständig, insbesondere die Sicherheitshinweise, bevor Sie die Maschine zusammenbauen, in Betrieb nehmen oder warten. Um eine maximale Lebensdauer und Leistungsfähigkeit Ihrer Maschinen zu erreichen befolgen Sie bitte sorgfältig die Anweisungen.

Inhaltsverzeichnis

- 1. Konformitätserklärung**
- 2. Garantieleistungen**
- 3. Sicherheit**
 - Bestimmungsgemäße Verwendung
 - Allgemeine Sicherheitshinweise
 - Restrisiken
- 4. Maschinenspezifikation**
 - Technische Daten
 - Schallemission
 - Lieferumfang
 - Maschinenbeschreibung
- 5. Transport und Inbetriebnahme**
 - Transport und Aufstellung
 - Montage
 - Elektrischer Anschluss
 - Absaug Anschluss
 - Inbetriebnahme
- 6. Betrieb der Maschine**
- 7. Wechsel der Hobelmesser**
- 8. Wartung und Inspektion**
- 9. Störungsabhilfe**
- 10. Umweltschutz**
- 11. Lieferbares Zubehör**

1. Konformitätserklärung

Wir erklären in alleiniger Verantwortlichkeit, dass dieses Produkt mit den auf Seite 2 angegebenen Richtlinien* übereinstimmt. Bei der Konstruktion wurden folgende Normen** berücksichtigt und eine EG-Baumusterprüfung *** von **** durchgeführt.

2. Garantieleistungen

Der Verkäufer garantiert, dass das gelieferte Produkt frei von Material- und Fertigungsfehlern ist. Diese Garantie trifft nicht auf jene Defekte zu, welche auf direkten oder indirekten, nicht fachgerechten Gebrauch, Unachtsamkeit, Unfallschaden, Reparatur, mangelhafte Wartung bzw. Reinigung sowie normalen Verschleiß zurückzuführen sind.

Garantie- bzw. Gewährleistungsansprüche müssen innerhalb von 12 Monaten ab dem Verkaufsdatum (Rechnungsdatum) geltend gemacht werden. Weitergehende Ansprüche sind ausgeschlossen.

Die vorliegende Garantie umfasst sämtliche Garantieverpflichtungen seitens des Verkäufers und ersetzt alle früheren Erklärungen und Vereinbarungen betreffend Garantien.

Die Garantiefrist gilt für eine tägliche Betriebszeit von 8 Stunden. Wird diese überschritten, so verkürzt sich die Garantiefrist proportional zur Überschreitung, jedoch höchstens auf 3 Monate.

Die Rücksendung beanstandeter Ware bedarf der ausdrücklichen vorherigen Zustimmung vom Verkäufer und geht auf Kosten und Gefahr des Käufers.

Die ausführlichen Garantieleistungen sind den Allgemeinen Geschäftsbedingungen (AGB) zu entnehmen. Die AGB sind unter www.jettools.com einzusehen oder werden auf Anfrage per Post zugestellt.

Der Verkäufer behält sich das Recht vor, jederzeit Änderungen am Produkt und Zubehör vorzunehmen.

3. Sicherheit

3.1 Bestimmungsgemäße Verwendung

Die Maschine ist geeignet zum Hobeln von Holz und Holzersatzstoffen. Die Bearbeitung anderer Werkstoffe ist nicht zulässig bzw. darf in Sonderfällen nur nach Rücksprache mit dem Maschinenhersteller erfolgen.

Es dürfen nur Werkstücke bearbeitet werden welche sicher aufgelegt und geführt werden können.

Die bestimmungsgemäße Verwendung beinhaltet auch die Einhaltung der vom Hersteller angegebenen Betriebs- und Wartungsanweisungen. Die Maschine darf ausschließlich von Personen bedient werden, die mit Betrieb und Wartung vertraut und über die Gefahren unterrichtet sind. Das gesetzliche Mindestalter ist einzuhalten.

Die Maschine nur in technisch einwandfreiem Zustand benutzen.

Beim Arbeiten an der Maschine müssen sämtliche Schutzeinrichtungen und Abdeckungen montiert sein.

Neben den in der Gebrauchsanleitung enthaltenen Sicherheitshinweisen und den besonderen Vorschriften Ihres Landes sind die für den Betrieb von Holzbearbeitungsmaschinen allgemein anerkannten fachtechnischen Regeln zu beachten.

Jeder darüber hinaus gehende Gebrauch gilt als nicht bestimmungsgemäß und für daraus resultierende Schäden haftet der Hersteller nicht. Das Risiko trägt allein der Benutzer.

3.2 Allgemeine Sicherheitshinweise

Holzbearbeitungsmaschinen können bei unsachgemäßem Gebrauch gefährlich sein. Deshalb ist zum sicheren Betreiben die Beachtung der zutreffenden Unfallverhütungsvorschriften und der nachfolgenden Hinweise erforderlich.



Lesen und verstehen Sie die komplette Gebrauchsanleitung bevor Sie mit Montage oder Betrieb der Maschine beginnen.

Es ist darauf zu achten, dass die Bedienungsanleitung sich immer in Reichweite der Maschine befindet, geben Sie sie an einen neuen Eigentümer weiter.

An der Maschine dürfen keine Veränderungen, An- und Umbauten vorgenommen werden.

Überprüfen Sie täglich vor dem Einschalten der Maschine die einwandfreie Funktion und das Vorhandensein der erforderlichen Schutzeinrichtungen.

Festgestellte Mängel an der Maschine oder den Sicherheitseinrichtungen sind zu melden und von den beauftragten Personen zu beheben.

Nehmen Sie die Maschine in solchen Fällen nicht in Betrieb, sichern Sie die Maschine gegen Einschalten durch Ziehen des Netzsteckers.

Zum Schutz von langem Kopfhaar Mütze oder Haarnetz aufsetzen.

Enganliegende Kleidung tragen.

Schmuck, Ringe und Armbanduhr ablegen.

Tragen Sie Schutzschuhe, keinesfalls Freizeitschuhe oder Sandalen.

Verwenden Sie die durch Vorschriften geforderte persönliche Schutzausrüstung.

Beim Arbeiten an der Maschine **keine Handschuhe** tragen.

Achten Sie auf die gebremste Auslaufzeit der Maschine, sie darf in keinem Fall 10 s übersteigen.

Eingeklemmte Werkstücke nur bei ausgeschaltetem Motor und Stillstand entfernen

Die Maschine so aufstellen, dass genügend Platz zum Bedienen und zum Führen der Werkstücke gegeben ist.

Sorgen Sie für gute Beleuchtung.

Achten Sie darauf, dass die Maschine standsicher auf festem und ebenem Grund steht.

Beachten Sie dass die elektrische Zuleitung nicht den Arbeitsablauf behindert und nicht zur Stolperstelle wird

Den Arbeitsplatz frei von behindernden Werkstücken, etc. halten.

Seien Sie aufmerksam und konzentriert. Gehen Sie mit Vernunft an die Arbeit.

Achten Sie auf ergonomische Körperhaltung. Sorgen Sie für sicheren Stand und halten Sie jederzeit das Gleichgewicht.

Ziehen Sie bei Nichtgebrauch des Werkzeuges, vor jeder Wartungsarbeit und beim Wechseln der Hobelmesser in jedem Fall den Netzstecker aus der Steckdose.

Stellen Sie stets sicher, dass Werkzeugschlüssel und Einstellwerkzeuge entfernt sind, bevor Sie das Elektrowerkzeug einschalten.

Bedienen Sie die Maschine nicht, wenn Sie müde sind.

Arbeiten Sie niemals unter dem Einfluss von Rauschmitteln wie Alkohol und Drogen an der Maschine. Beachten Sie, dass auch Medikamente Einfluss auf Ihr Verhalten nehmen können.

Entfernen Sie nie Späne, Werkstücke und Werkstückabschnitte bevor die Maschine stillsteht.

Die laufende Maschine nie unbeaufsichtigt lassen. Vor dem Verlassen des Arbeitsplatzes die Maschine ausschalten.

Halten Sie Unbeteiligte, insbesondere Kinder vom Gefahrenbereich fern.

Benützen Sie die Maschine nicht in der Nähe von brennbaren Flüssigkeiten oder Gasen. Beachten Sie die Brandmelde- und Brandbekämpfungsmöglichkeiten z.B. Standort und Bedienung von Feuerlöschern.

Benützen Sie die Maschine nicht in feuchter Umgebung und setzen Sie sie nicht dem Regen aus.

Achten Sie stets darauf, dass keine zu große Staubkonzentration entsteht – verwenden Sie stets eine geeignete Absauganlage Holzstaub ist explosiv und kann gesundheitsschädigend sein. Insbesondere tropische Hölzer und harte Hölzer wie Buche und Eiche sind als krebserregend eingestuft.

Vor der Bearbeitung Nägel und andere Fremdkörper aus dem Werkstück entfernen.

Die Maschine niemals mit abgebauten Schutzeinrichtungen betreiben. Hohe Verletzungsgefahr!

Alle Greifer der Rückschlagsicherung müssen von selbst in die Ausgangsstellung (nach unten) zurückkehren.

Fassen Sie beim Führen und Abnehmen eines Werkstückes niemals mit den Händen in die laufende Maschine.

Verwenden Sie eine Zuführhilfe (Schiebehölz), wenn Sie kleinere Werkstücke in die Maschine schieben wollen. Die Werkstücke müssen jedoch mindestens 200mm lang sein.

Die min. und max. Werkstückabmessungen müssen eingehalten werden.

Späne und Werkstücke nur bei stehender Maschine entfernen.

Benutzen Sie stets scharfe Hobelmesser.

Hobeln Sie maximal zwei Werkstücke zugleich.

Um nicht parallele Flächen zu hobeln, geeignete Zuführhilfen verwenden (passende Zuführhilfen herstellen).

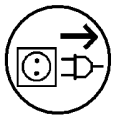
Bei langen Werkstücken, vor und hinter der Maschine Rollenständer benutzen.

Die Oberfläche des Dickentisches sauber halten, insbesondere Harzrückstände entfernen

Nicht auf der Maschine stehen.

Arbeiten an der elektrischen Ausrüstung der Maschine dürfen nur durch eine Elektrofachkraft vorgenommen werden.

Tauschen Sie ein beschädigtes Netzkabel sofort aus.



Umrüst-, Einstell- und Reinigungsarbeiten nur im Maschinenstillstand und bei gezogenem Netzstecker vornehmen.

3.3 Restrisiken

Auch bei vorschriftsmäßiger Benutzung der Maschine bestehen die nachfolgend aufgeführten Restrisiken:

Berührung der Hobelwelle im Schnittbereich

Einzugsgefahr durch automatischen Vorschub.

Quetschgefahr durch automatischen Werkstück Ausschub.

Gefährdung durch wegfliegende Werkstückeile

Gefährdung durch Lärm und Staub. Unbedingt persönliche Schutzausrüstung wie Augen- und Gehörschutz tragen. Absauganlage einsetzen.

Gefährdung durch Strom, bei nicht ordnungsgemäßer Verkabelung.

4. Maschinenspezifikation

4.1 Technische Daten

Hobelbreite	max 318 mm
Dickendurchlaß	6 bis 153 mm
Spanabnahme	max. 2,5 mm
Messeranzahl	2
Hobelwellendurchmesser	48 mm
Leerlaufdrehzahl n_0	9000 U/min
Schnitte pro Minute	18000
Hobelmesser Länge	319mm
Hobelmesser Breite	18mm
Hobelmesser Dicke	3mm
Vorschubgeschwindigkeit	7 m/min
Absaugstutzen	100mm
Maschinengewicht	30 kg

Netzanschluß	230V~1L/N/PE 50-60Hz
Aufnahmeleistung	1800W
Betriebsstrom	8 A
Anschlusleitung	H05VV-F 3G1mm ²
Bauseitige Absicherung	16A

4.2 Schallemission

(Messunsicherheitsfaktor 4 dB)

Schallleistungspegel
(nach EN ISO 3746):
Leerlauf LwA 101,5 dB(A)

Schalldruckpegel
(nach EN ISO 11202):
Leerlauf LpA 88,7 dB(A)

Die angegebenen Werte sind Emissionspegel und sind nicht notwendigerweise Pegel für sicheres Arbeiten.

Trotzdem ist diese Information geeignet, dem Anwender der Maschine eine bessere Abschätzung der Gefährdung und des Risikos zu ermöglichen.

4.3 Lieferumfang

Dickenhobelmaschine
Absaugstutzen 100mm
Dickenkurbel
Messereinstellehre
4 Gummifüße
Montagezubehör
Gebrauchsanleitung
Ersatzteilliste

4.4 Maschinenbeschreibung

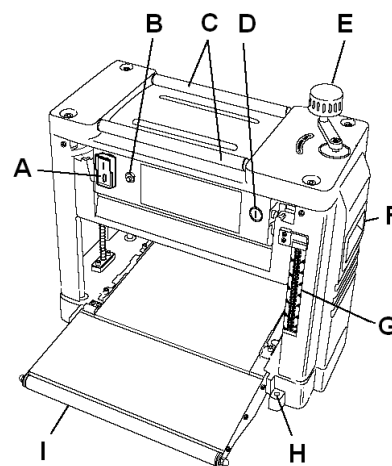


Fig 1

A....EIN/AUS Schalter
B....Thermoschutzschalter
C....Transportrollen

D....Motorbürsten
E....Dickenkurbel
F....Tragegriffe
G....Dickenskala
H....Befestigungsbohrungen
I....Zuführrollen

5. Transport und Inbetriebnahme

5.1.Transport und Aufstellung

Die Aufstellung der Maschine sollte in geschlossenen Räumen erfolgen, tischlerübliche Bedingungen in der Werkstatt sind dabei ausreichend.

Die Aufstellfläche muss ausreichend eben und belastungsfähig sein. Die Maschinen kann bei Bedarf auf der Aufstellfläche befestigt werden.

Klappen Sie die Einzugs- und Auszugstische hoch, wenn der Dickenhobel nicht benutzt wird.

Das Netzkabel kann auf der Unterseite des Einzugstisches aufgewickelt werden (Fig 2).

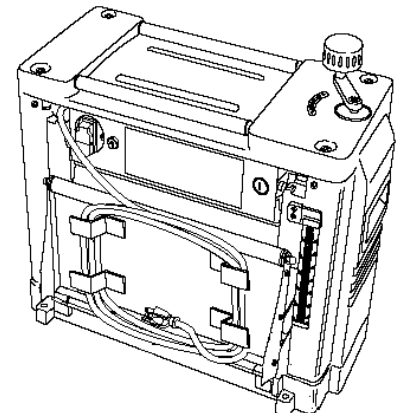


Fig 2

Aus verpackungstechnischen Gründen ist die Maschine nicht komplett montiert.

5.2 Montage

Wenn Sie beim Auspacken einen Transportschaden feststellen benachrichtigen Sie umgehend Ihren Händler, nehmen Sie das Gerät nicht in Betrieb!

Entsorgen Sie die Verpackung bitte umweltgerecht.

Entfernen Sie das Rostschutzfett mit einem milden Lösungsmittel.

Montieren Sie die GummifüÙe (J) und die Dickenkurbel (B).

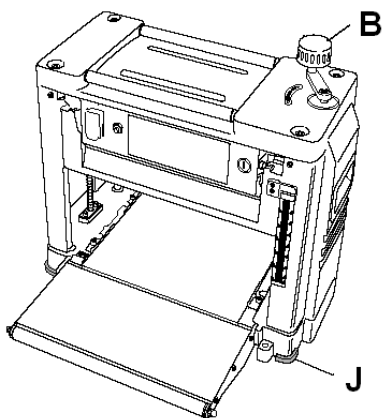


Fig 3

5.3 Elektrischer Anschluss

Der kundenseitige Netzanschluss sowie die verwendeten Verlängerungsleitungen müssen den Vorschriften entsprechen.

Beachten Sie dass die Netzspannung mit den Leistungsschilddaten der Maschine übereinstimmt.

Die bauliche Absicherung muss 16A betragen.

Verwenden Sie nur Anschlussleitungen mit Kennzeichnung H05VV-F.

Anschlüsse und Reparaturen der elektrischen Ausrüstung dürfen nur von einer Elektrofachkraft durchgeführt werden.

5.4 Absaug Anschluss

Die Maschine muss vor der Inbetriebnahme an eine Absaugung angeschlossen werden.

5.5 Inbetriebnahme

Die Maschine wird mit dem EIN/AUS Schalter (A) in Betrieb genommen.

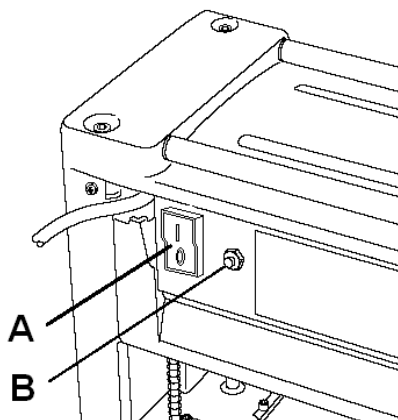


Fig 4

Bei Überlastung des Motors schaltet die Maschine selbsttätig ab. Nach einer Abkühlzeit von ca. 5 Minuten lässt sich der Thermoschutzschalter (B) wieder eindrücken.

Achtung: Die Maschine startet wenn Sie den Überlastschutztaster eindrücken!

6. Betrieb der Maschine

Richtige Arbeitsstellung:

Um das Werkstück in die Maschine einzuführen, stellen Sie sich seitlich versetzt neben die Zuführöffnung.

Werkstückhandhabung:

Stellen Sie den Dickentisch auf Werkstückdicke ein.

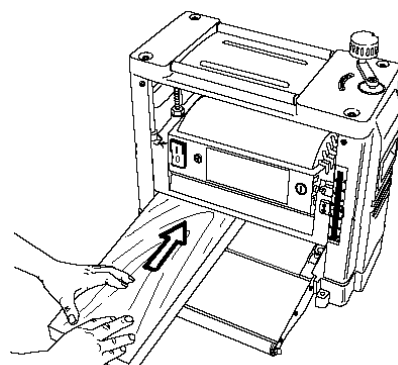


Fig 5

Werkstück langsam und gerade einschieben. Das Werkstück wird automatisch eingezogen. Werkstück gerade durch die Hobelmaschine führen. Um das Werkstück aus der Maschine zu entnehmen, stellen Sie sich seitlich versetzt neben die Abnahmeöffnung.

Lange Werkstücke durch Rollenböcke abstützen.

Arbeitshinweise:

Nur mit scharfen Hobelmessern arbeiten!

Werkstück mit dem dickeren Ende voraus einführen, hohle Seite unten.

Max. 2,5mm Spanabnahme. Bleibt das Werkstück stecken, Hobeleinheit um ca.1mm (1 Kurbeldrehung) anheben.

Werkstück nach Möglichkeit längs zum Faserverlauf hobeln (Fig 6).

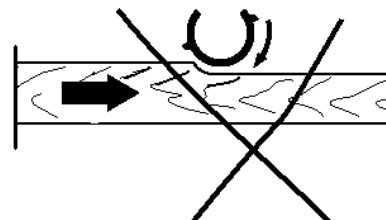


Fig 6

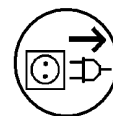
Die Oberflächenqualität ist besser wenn in mehreren Durchgängen jeweils weniger Material abgenommen wird.

Maschine ausschalten, wenn nicht unmittelbar weitergearbeitet werden soll.

Werkstücke die kürzer als 250mm sind, dürfen nicht bearbeitet werden.

Max. 2 Werkstücke gleichzeitig hobeln. An den beiden Außenseiten zuführen.

7. Hobelmesser Wechsel



Der Hobelmesserwechsel darf nur bei gezogenem Netzstecker erfolgen.

Hobelmesser sind scharf. Zum Wechseln der Hobelmesser immer geeignete Arbeitshandschuhe tragen.

Messer Ausbau:

Kurbeln Sie die Hobeleinheit in die höchste Stellung.

Entfernen Sie die Dickenkurbel (E) und die Schrauben (K) der Gehäuseabdeckung.

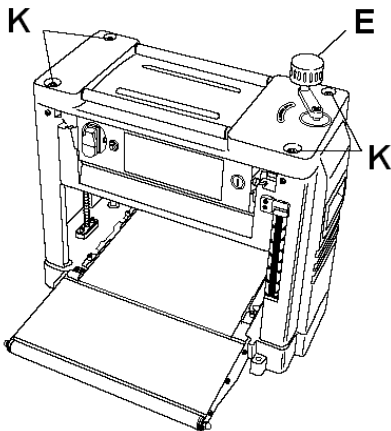


Fig 7

Gehäuseabdeckung entfernen

Entfernen Sie die Späneauswurfhaube (L).

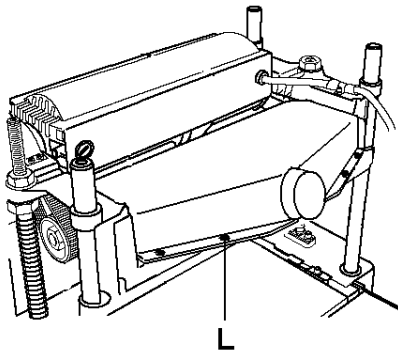


Fig 8

Die Sechskantschrauben (M) der Hobelmesser Andrückleiste ganz einschrauben (Handschuhe benutzen!)

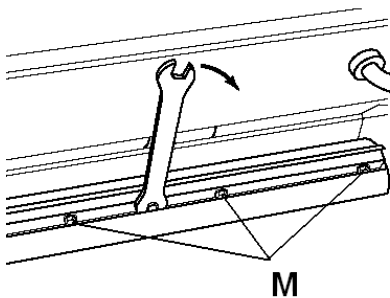


Fig 9

Zunächst Hobelmesser, dann Hobelmesser Andrückleiste aus der Messerwelle entfernen.

Oberflächen der Messerwelle und Hobelmesser Andrückleisten mit Harzlöser reinigen (verwenden Sie keine Reinigungsmittel, welche die Leichtmetallbauteile angreifen können).

Messer Einbau:

Verwenden Sie nur geeignete Hobelmesser, welche EN 847-1 und der technischen Spezifikation entsprechen.

Ungeeignete, falsch montierte, stumpfe oder beschädigte Hobelmesser können sich lösen bzw. die Rückschlaggefahr stark erhöhen.

Achten Sie darauf, dass immer beide Hobelmesser zugleich ausgetauscht werden.

Die Hobelmesser-Andrückleisten sind zueinander gewuchtet und können beliebig eingesetzt werden.

Nur Hobelmesser mit der Aufschrift „HSS“ oder „HS“ dürfen nachgeschliffen werden! Beim Nachschleifen beide Hobelmesser in gleichem Maße nachschleifen, sonst können durch Unwucht Lagerschäden auftreten

Hobelmesser dürfen nur bis zu einer Breite von 14 mm nachgeschliffen werden.

Verwenden Sie nur original JET Austauschteile.

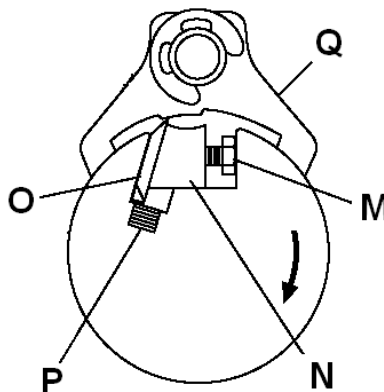


Fig 10

Hobelmesser-Andrückleiste (N) in die Führungsspalte der Messerwelle legen.

Stellen Sie sicher, dass die Federn (P) montiert sind.

Die Vierkantschrauben soweit herausschrauben, dass das Hobelmesser gerade noch eingeschoben werden kann. Scharfes Hobelmesser (O) einlegen und mit der Andrückleiste so ausrichten, dass beide seitlich über die Messerwelle nicht überstehen.

Verwenden Sie die Messereinstellehre (Q) um die Messer zu justieren.

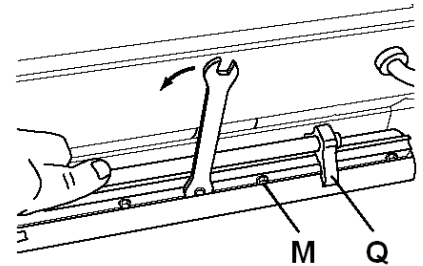


Fig 11

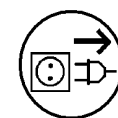
Zum Festschrauben des Hobelmessers, die Sechskantschrauben (M) der Hobelmesser-Andrückleiste ganz herausdrehen.

Zuerst die beiden äußeren Sechskantschrauben festziehen, danach die restlichen.

Werkzeug zum Festschrauben nicht verlängern, keine Schläge auf das Werkzeug.

Nach dem Hobelmesserwechsel montieren Sie die Späneauswurfhaube, die Gehäuseabdeckung und die Dickenkurbel.

8. Wartung und Inspektion



Umrüst-, Einstell- und Reinigungsarbeiten nur im Maschinenstillstand und bei gezogenem Netzstecker vornehmen.

Reinigen Sie die Maschine in regelmäßigen Zeitabständen.

Prüfen Sie täglich die ausreichende Funktion der Absaugung.

Ersetzen Sie beschädigte Hobelmesser sofort.

Prüfen Sie vor jedem Arbeitsbeginn die Beweglichkeit der Rückschlaggreifer (müssen von selbst zurückfallen).

Bürstenwechsel:

Netzstecker ziehen!

Kontrollieren Sie den Zustand der Bürsten nach 50 Betriebsstunden

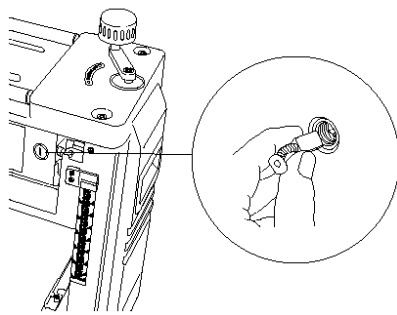


Fig 12

Bei einer Bürstenlänge unter 3 mm müssen diese ersetzt werden.
(Jet Artikel Nr.: JWP12-096...2 Stück erforderlich)

9. Störungsabhilfe

Instandsetzungs-, Reinigungs- und Reparaturarbeiten grundsätzlich nur bei ausgeschaltetem Antrieb und bei gezogenem Netzstecker vornehmen. Sämtliche Schutzeinrichtungen sofort wieder anbringen.

Anschlüsse und Reparaturen der elektrischen Ausrüstung dürfen nur von einer Elektrofachkraft durchgeführt werden.

Motor startet nicht

- *Kein Strom-Zuleitung und Sicherung prüfen.
- *Motor, Schalter oder Kabel defekt-Elektrofachkraft kontaktieren.
- *Überlastschutz hat reagiert-Abkühlen lassen, Thermoschutzschalter eindrücken und neu starten.

Starke Maschinenvibrationen

- *Maschine steht uneben-Ausgleich schaffen.
- *Hobelmesser unterschiedlich-Messerbreite muss gleich sein.
- *Beschädigtes Hobelmesser-Messersatz sofort austauschen.

Bearbeitete Oberfläche ist schlecht

- *Hobelmesser stumpf-Scharfe Hobelmesser einsetzen.

*Hobelmesser durch Späne zugesetzt-Späne entfernen.

*Spanabnahme zu hoch-in mehreren Durchgängen hobeln.

*Gegen die Faser gearbeitet-Werkstück von der Gegenrichtung bearbeiten.

*Werkstück inhomogen.
*Werkstück Feuchte zu hoch.

Hobelstufe

*Unzureichende Werkstückführung-Rollbock verwenden.

*stumpfe Hobelmesser-Scharfe Hobelmesser einsetzen.

Werkstück uneben

*Hobelmesser schräg eingebaut-Messerlehre verwenden.

Werkstück eingeklemmt

*zu viel Spanabnahme zugestellt-In mehreren Durchgängen hobeln.

Dickenverstellung

schwergängig

*Unzureichende Schmierung-Spindeln und Führungssäulen ölen.

Werkstückvorschub gering

- *Motorriemen rutschen-Riemen nachspannen oder tauschen.
- *Dickentisch verharzt-Reinigen und Gleitwachs auftragen.
- *Vorschubrollen zu rutschig mit Schleifpapier leicht aufrauen

10. Umweltschutz

Schützen Sie die Umwelt!

Ihr Gerät enthält mehrere unterschiedliche, wiederverwertbare Werkstoffe.

Bitte entsorgen Sie es nur an einer spezialisierten Entsorgungsstelle.

11. Lieferbares Zubehör

Artikel Nummer 10000841

Satz von 2 HSS Wendemessern

Artikel Nummer 10000842

Maschinen Untergestell

Artikel Nummer 709207

Rollenbock klappbar

FR - FRANCAIS

Mode d'emploi

Cher client,

Nous vous remercions de la confiance que vous nous portez avec l'achat de votre nouvelle machine JET. Ce manuel a été préparé pour l'opérateur de la raboteuse JET JWP-12. Son but, mis à part le fonctionnement de la machine, est de contribuer à la sécurité par l'application des procédés corrects d'utilisation et de maintenance. Avant de mettre l'appareil en marche, lire les consignes de sécurité et de maintenance dans leur intégralité. Pour obtenir une longévité et fiabilité maximales de votre scie, et pour contribuer à l'usage sûr de la machine, veuillez lire attentivement ce mode d'emploi et suivre les instructions.

Table des Matières

1. Déclaration de conformité

2. Prestations de garantie

3. Sécurité

Utilisation conforme
Consignes de sécurité
Risques

4. Spécifications

Indications techniques
Emission de bruit
Contenu de la livraison
Description de la machine

5. Transport et montage

Transport
Montage
Raccordement au réseau électr.
Racc. collecteur de poussières
Mise en exploitation

6. Fonctionnement de la machine

7. Changement des lames

8. Entretien et inspection

9. Détecteur de pannes

10. Protection de l'environnement

11. Accessoires

1. Déclaration de conformité

Par le présent et sous notre responsabilité exclusive, nous déclarons que ce produit satisfait aux normes conformément aux lignes directrices indiquées page 2.

2. Prestations de garantie

Le vendeur garantit que le produit livré est exempt de défauts de matériel et de fabrication. La présente garantie ne s'applique pas aux défauts résultant d'une utilisation incorrecte directe ou indirecte, de l'inattention, d'un accident, d'une réparation, d'une maintenance ou d'un nettoyage insuffisant, ou encore de l'usure normale.

Il est possible de faire valoir des prétentions en garantie dans les 12 mois suivant la date de la vente (date de la facture). Toute autre prétention est exclue.

La présente garantie comprend toutes les obligations de garantie incombant au vendeur et remplace toutes les déclarations et conventions antérieures en termes de garanties.

Le délai de garantie s'applique pour une durée d'exploitation de huit heures par jour. Au-delà, le délai de garantie diminue proportionnellement au dépassement, mais pas en deçà de trois mois.

Le renvoi d'une marchandise faisant l'objet d'une réclamation requiert l'accord préalable exprès du vendeur et s'effectue aux frais et aux risques de l'acheteur.

Les prestations de garantie détaillées figurent dans les Conditions générales (CG). Ces dernières sont disponibles sur www.jettools.com ou peuvent être envoyées par la poste sur demande.

Le vendeur se réserve le droit de modifier à tout moment le produit et les accessoires.

3. Sécurité

3.1 Utilisation conforme

Cette machine convient au rabotage du bois et des dérivés du bois. Le travail d'autres matériaux est interdit et ne peut être effectué que dans des cas spéciaux et après accord du fabricant de la machine.

La pièce doit se laisser poser et guider sans problème.

L'utilisation conforme implique le strict respect des instructions de service et de maintenance indiquées dans ce manuel.

La machine doit être exclusivement utilisée par des personnes familiarisées avec le fonctionnement, la maintenance et la remise en état, et qui sont informées des dangers correspondants.

L'âge requis par la loi est à respecter.

La machine ne doit être utilisée que si elle est en parfait état.

Ne travailler sur la machine que si tous les dispositifs et carters de protection sont en place.

Toutes les directives relatives à la prévention des accidents ainsi que les consignes de sécurité doivent être scrupuleusement respectées.

En cas d'utilisation non-conforme de la machine, le fabricant décline toute responsabilité qui est en tel cas rejetée exclusivement sur l'utilisateur.

3.2 Consignes de sécurité

L'utilisation non conforme d'une raboteuse peut être très dangereuse. C'est pourquoi vous devez lire attentivement ce mode d'emploi avant de monter ou d'utiliser votre appareil.

Conserver à proximité de la machine tous les documents fournis avec l'outillage (dans une pochette en plastique, à l'abri de la poussière, de l'huile et de l'humidité) et veiller à joindre cette documentation si vous cédez l'appareil.

Ne pas effectuer de modification à la machine. Utiliser les accessoires recommandés, des accessoires incorrects peuvent être dangereux.

Chaque jour avant d'utiliser la machine, contrôler les dispositifs de protection et le fonctionnement impeccable.

En cas de défauts à la machine ou aux dispositifs de protection avertir les personnes compétentes et ne pas utiliser la machine. Déconnecter la machine du réseau.

Avant de mettre la machine en marche, retirer cravate, bagues, montre ou autres bijoux et retrousser les manches jusqu'aux coudes. Enlever tous vêtements flottants et nouer les cheveux longs.

Porter des chaussures de sécurité, surtout pas de tenue de loisirs ou de sandales.

Porter équipement de sécurité personnel pour travailler à la machine.

Ne pas porter **de gants**.

Le temps de freinage de la machine ne doit pas dépasser 10 secondes.

Pour enlever des pièces coincées attendre que le moteur ne marche plus et que la machine soit complètement à l'arrêt.

Placer la machine de sorte à laisser un espace suffisant pour la manoeuvre et le guidage des pièces à usiner.

Veiller à un éclairage suffisant.

Placer la machine sur un sol stable et plat.

S'assurer que le câble d'alimentation ne gêne pas le travail ni ne risque de faire trébucher l'opérateur.

Autour de la machine, conserver le sol propre, sans déchets, huile ou graisse.

Prêter grande attention à votre travail et rester concentré.

Éviter toute position corporelle anormale.

Veiller à une position stable et garder un bon équilibre à tout moment.

Déconnecter la machine du réseau en retirant la prise lorsqu'elle n'est pas utilisée et avant tous travaux d'entretien, ainsi que lors du changement des lames.

Avant de mettre la machine en marche, s'assurer que les outils de réglage et les clés sont éloignés de la zone de travail.

Ne jamais utiliser la machine si vous êtes fatigué.

Ne pas travailler sous l'influence de drogues, d'alcool ou de médicaments.

Ne pas enlever les copeaux et les pièces usinées avant que la machine ne soit à l'arrêt.

Ne jamais laisser la machine en marche sans surveillance. Arrêter la machine avant de quitter la zone de travail.

Eloigner de la machine toutes personnes incompetentes, surtout les enfants.

Ne pas mettre la machine à proximité de liquides ou de gaz inflammables.

Préserver la machine de l'humidité et ne jamais l'exposer à la pluie.

Utiliser un collecteur de poussières afin d'éviter une production de poussières trop élevée.

La poussière de bois est explosive et peut être nocive pour la santé. Les poussières de certains bois exotiques et de bois durs, tels que le hêtre et le chêne sont classées comme étant cancérigènes.

Retirer les clous et autres corps étrangers de la pièce avant de débiter l'usinage.

Ne jamais utiliser la machine quand les dispositifs de protection ne sont pas montés – danger de blessures!

Les grappins du protecteur contrecoup doivent revenir automatiquement dans leur position normale (vers le bas).

Ne jamais mettre les mains dans la machine en marche pour mener ou enlever une pièce.

Utiliser des moyens d'aide (plaque coulissante), pour pousser les petites pièces dans la machine. Les pièces doivent toutefois avoir une longueur minimale de 200mm.

Se tenir aux spécifications concernant la dimension maximale ou minimale de la pièce à usiner.

Utiliser toujours des lames bien coupantes.

Raboter au maximum deux pièces en même temps.

Pour raboter des surfaces qui ne sont pas parallèles, utiliser des chargeurs appropriés (faire des chargeurs sur mesure).

Pour les pièces longues, utiliser des supports roulants. devant et derrière la machine.

Maintenir les surfaces des tables propres, surtout éliminer les résidus de résine.

Ne pas se mettre sur la machine.

Tous travaux de branchement et de réparation sur l'installation électrique doivent être exécutés uniquement par un électricien qualifié.

Remplacer immédiatement tout câble endommagé ou usé.

Faire tous les travaux de réglage ou de maintenance seulement après avoir débranché la machine du réseau.

3.3 Risques

Même en respectant les directives et les consignes de sécurité, les risques suivants existent :

Contact avec l'arbre dans la zone de coupe.

Danger d'entraînement par avance automatique.

Danger d'écrasement par sortie automatique des pièces.

Danger de pièces éjectées.

Risque de nuisances par poussières de bois, copeaux et bruit.

Porter équipements de sécurité personnels tels que lunettes, cache-visage pour travailler à la machine. Utiliser un collecteur de poussières!

Danger par câble électrique endommagé, usé ou mal branché.

4. Spécifications JWP-12

4.1 Indications techniques

Largeur de rabotage	max 318 mm
Passage de rabotage	6 bis 153 mm
Épaisseur de rabot	max. 2,5 mm
Nombre de fers	2
Diamètre de l'arbre	48 mm
Vitesse de l'arbre n_o	9000 T/min
Nombre de coupe par minute	18000
Longueur des fers	319mm
Largeur des fers	18mm
Épaisseur des fers	3mm
Vitesse d'avance	7 m/min
Ouverture d'aspiration	100mm
Poids net	30 kg

Voltage	230V ~1L/N/PE 50Hz
Puissance	1800W
Courant électrique	8 A
Raccordement	H05W-F 3G1mm ²
Fusible du secteur élect.	16A

4.2 Emission de bruit

(Incertitude de mesure 4 dB)

Puissance sonore (selon EN ISO 3746): Marche à vide	L _{WA} 101,5 dB(A)
---	-----------------------------

Niveau de pression sonore (selon EN ISO 11202): Marche à vide	L _{pA} 88,7 dB(A)
---	----------------------------

Les indications données sont des niveaux de bruit et ne sont pas forcément les niveaux pour un travail sûr.

Cette information est tout de même importante, ainsi l'utilisateur peut estimer les dangers et les risques possibles.

4.3 Contenu de la livraison

Raboteuse
Buse d'aspiration 100mm
manivelle d'épaisseur
Instruction pour le réglage des lames
4 pieds de caoutchouc
Accessoires pour le montage
Mode d'emploi
Liste pièces de rechange

4.4 Description de la machine

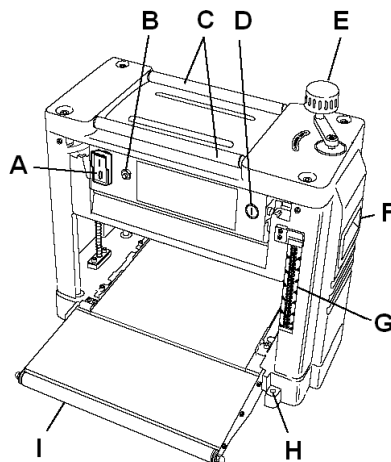


Fig 1

- A....bouton de marche/arrêt
- B....Disjoncteur protection thermique
- C....Roues de transport
- D....Balais du moteur
- E....manivelle d'épaisseur
- F....Poignées de transport
- G....graduation d'épaisseur
- H....trous de fixation
- I.....Rouleau d'amenée

5. Transport et mise en exploitation

5.1.Transport

Effectuer le montage de la machine dans un local fermé ou un atelier respectant les conditions de menuiserie.

Placer la machine sur une surface stable et plane. La machine peut aussi être fixée à la surface.

Lorsque le rabot d'usinage en épaisseur n'est pas utilisé, relever les tables d'entraînement et de dégagement.

Le câble d'alimentation peut être enroulé sur l'envers de la table d'entraînement (Fig 2).

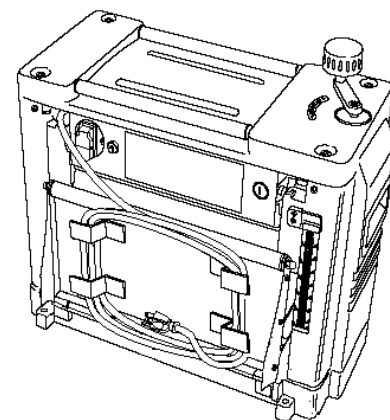


Fig 2

Pour des raisons techniques d'emballage la machine n'est pas complètement montée à la livraison.

5.2 Montage

Déballer la machine. Avertir JET immédiatement si vous constatez des pièces endommagées par le transport et ne pas monter la machine.

Éliminer l'emballage en respectant l'environnement.

Enlever la protection antirouille avec un dissolvant.

Monter les pieds de caoutchouc (J) et la manivelle d'épaisseur (B).

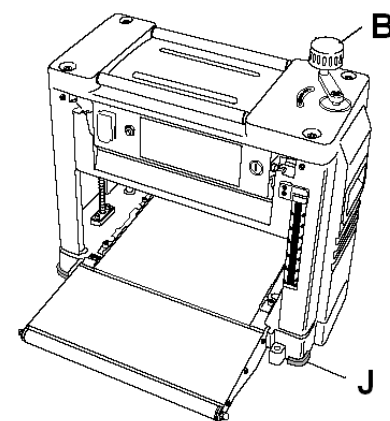


Fig 3

5.3 Raccordement au réseau électr.

Le raccordement ainsi que les rallonges utilisées doivent correspondre aux instructions. Le voltage et la fréquence doivent être conformes aux données inscrites sur la machine.

Le fusible de secteur électrique doit avoir 16A.

Utiliser pour le raccordement des câbles H05VV-F.

Tous travaux de branchement et de réparation sur l'installation électrique doivent être exécutés uniquement par un électricien qualifié.

5.4 Racc. collecteur de poussières

Avant la mise en exploitation connecter la machine à un collecteur de poussières.

5.5 Mise en exploitation

Mettre la machine en route avec le bouton marche/arrêt (A).

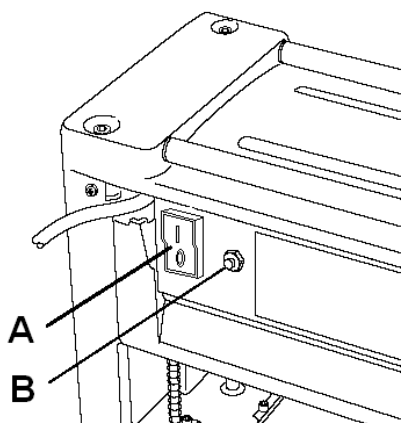


Fig 4

En cas de surcharge du moteur celui-ci s'arrête automatiquement.

Après un refroidissement d'env. 5 minutes presser l'interrupteur de protection thermique du moteur (B).

Attention: La machine se met en route quand vous pressez le protecteur de surcharge!

6. Fonctionnement de la machine

Position de travail:

Pour passer une pièce dans la machine, se positionner décalé sur le côté de l'entrée de la table.

Manoeuvrer les pièces:

Ajuster la table raboteuse à l'épaisseur de la pièce à usiner.

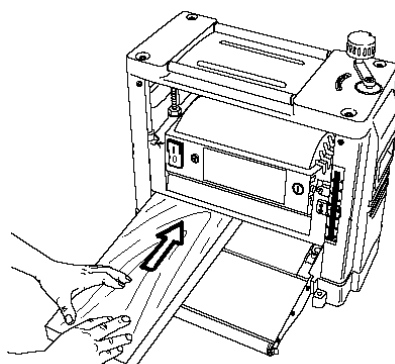


Fig 5

Introduire la pièce doucement et tout droit dans la machine. La pièce rentre automatiquement.

Passer la pièce tout droit dans la machine.

Pour retirer la pièce de la machine, se positionner décalé sur le côté de la sortie de table.

Pour des pièces longues, utiliser des supports roulants.

Conseils:

Ne travailler qu'avec des lames bien coupantes!

Le bout le plus épais de la pièce passe d'abord dans la machine, le côté creux vers le bas.

Epaisseur de rabot max. 2,5mm. Si votre pièce reste coincée, soulever la table raboteuse d'env. 1mm (1 rotation de manivelle).

Si possible toujours raboter la pièce dans le sens du fibrage (Fig 6).

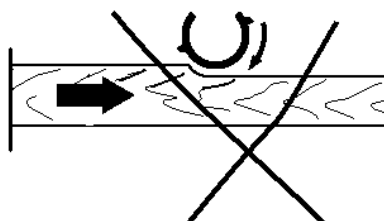


Fig 6

Le résultat de rabotage est meilleur en opérant plusieurs passages, donc en rabotant moins de matériel à la fois.

Arrêter la machine si le travail est interrompu.

Ne pas usiner de pièce de longueur inférieure à 250mm.

Raboter au max. 2 pièces en même temps. Les passer des deux côtés extérieurs.

7. Changement des lames

Pour le changement des lames déconnecter la machine du réseau.

Attention: Des lames sont coupantes. Toujours porter des gants pour le changement des lames.

Démontage des lames:

Positionner l'unité de rabotage le plus haut possible.

Retirer le rabot d'usinage en épaisseur (E) et les vis (K) du couvercle du boîtier.

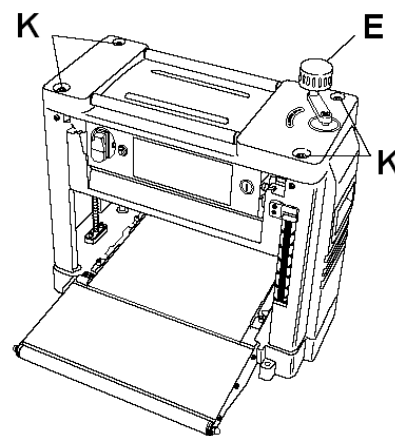


Fig 7

Retirer le couvercle du boîtier

Enlever le capot d'éjection des copeaux (L).

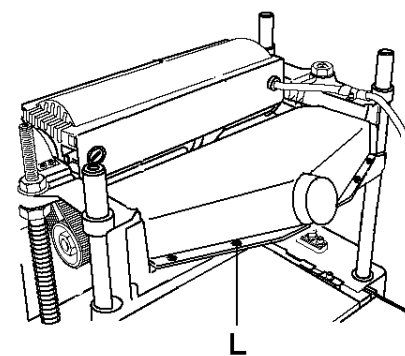


Fig 8

Visser à fond les vis hexagonales (M) de la barre à contrepression des lames (porter des gants!)

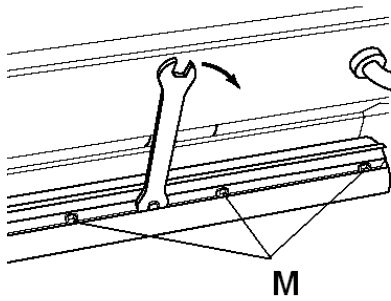


Fig 9

Enlever d'abord les lames, ensuite la barre à contrepression de l'arbre.

Nettoyer la surface de l'arbre et de la barre à contrepression avec un solvant pour résine (ne pas utiliser de produit qui pourrait attaquer les pièces en métal léger).

Remontage des lames:

N'utiliser que des lames qui correspondent à EN 847-1 et aux indications techniques.

Des lames impropres, mal montées, endommagées ou usées peuvent décaler, ou bien augmenter le danger de contrecoup.

Toujours changer toutes les lames ensemble en une fois.

Les barres à contrepression des lames sont équilibrées et peuvent être utilisées à volonté.

Ne réaffûter que des lames portant la mention „HSS“ ou „HS“!
Toujours réaffûter les deux lames dans la même proportion pour éviter un endommagement du palier par un déséquilibre.

Réaffûter les lames seulement jusqu'à une largeur de 14 mm.

Utiliser des pièces de rechange originales de JET.

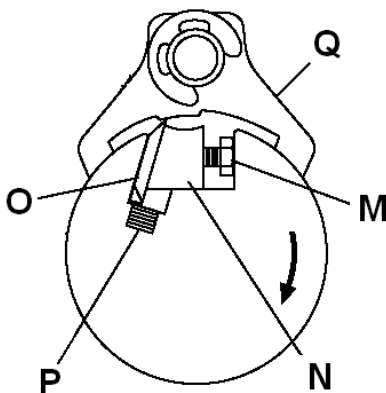


Fig 10

Poser la barre à contrepression (N) dans la fente de guidage de l'arbre. S'assurer que les ressorts (P) sont bien montés.

Dévisser les vis hexagonales de manière à pouvoir tout juste encore glisser les lames dedans. Insérer la lame (O) et ajuster avec la barre à contrepression de manière à ce que les deux ne dépassent pas l'arbre sur les côtés.

Pour ajuster les lames, utiliser le module de réglage (Q).

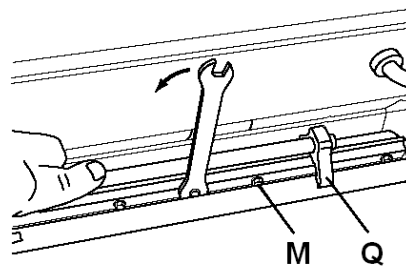


Fig 11

Pour serrer la lame, dévisser les vis hexagonales (M) à la barre à contrepression.

Commencer par les deux vis hexagonales extérieures, ensuite les autres. Ne pas rallonger l'outil de serrage, ne pas donner de coups sur l'outil.

Après avoir changé les lames, remettre en place le capot d'éjection des copeaux, le couvercle du boîtier et la manivelle d'épaisseur.

8. Entretien et inspection

Attention

Faire tous les travaux de maintenance, réglage ou nettoyage après avoir débranché la machine du réseau!

Nettoyer régulièrement la machine.

Vérifier chaque jour le fonctionnement impeccable du collecteur de poussières.

Remplacer immédiatement une lame endommagée ou usée.

Avant d'utiliser la machine, toujours contrôler le mouvement des grappins du protecteur contrecoup (doivent automatiquement retomber dans leur position normale).

Changement des balais:

Débrancher la machine du réseau!

Après 50 heures de travail, contrôler l'état des balais

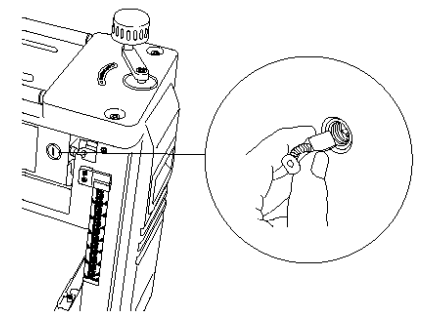


Fig 12

Si les balais ont moins de 3 mm, il faut les changer.
(Jet article n°: JWP12-096...2 balais nécessaires)

9. Détecteur de pannes

Faire tous les travaux de maintenance, réglage ou nettoyage après avoir débranché la machine du réseau!

Réinstaller immédiatement les dispositifs de protection.

Tous travaux de branchement et de réparation sur l'installation électrique doivent être exécutés uniquement par un électricien qualifié.

Moteur ne se met pas en route

*Pas de courant-
Vérifier le voltage.

*Défaut au moteur, bouton ou câble-
Contacter un électricien qualifié.

*Le protecteur de surcharge a réagit.
Après une pause, remettre la machine en route.

Vibration violente de la machine

*La machine n'est pas sur un sol plat-
Repositionner la machine.

*Les lames sont différentes-
Largeur des lames doit être identique.

*Lame endommagée-
Remplacer la série de lames.

Surface travaillée pas nette

*Lame usée-
Les remplacer par des lames coupantes.

*Trop de copeaux sur la lame-
Enlever les copeaux.

*Epaisseur de rabot trop grande-
Raboter en plusieurs passages.

*Travail à contre sens du fibrage-
Usiner la pièce dans l'autre sens.

*Pièce non homogène.

*Pièce trop humide.

Echelon de rabotage

*Avancement de la pièce insuffisant-
Utiliser un support roulant.

*Lames usées-

Les remplacer par des lames
coupantes.

Pièce déformée

*Lames montées de travers ou en
biais-

Fixer les lames à l'aide du module de
réglage.

Pièce coincée

*Epaisseur de rabot trop grande-

Faire plusieurs passages.

Réglage malaisé de l'épaisseur

*Graissage insuffisant-

Graisser les 4 broches et le guidage.

Avance traînante de la pièce

*Courroie du moteur glisse-

Resserrer ou remplacer la courroie.

*Trop de résidus de résine sur la
table-

Nettoyer la table.

*Rouleaux glissent trop-

Gratter légèrement avec un papier-
émeri.

10. Protection de l'environnement

Protégez l'environnement !

Votre appareil comprend plusieurs
matières premières différentes et
recyclables. Pour éliminer l'appareil
usagé, veuillez l'apporter dans un
centre spécialisé de recyclage des
appareils électriques.

11. Accessoires

Article 1000841

Série de 2 lames HSS

Article 1000842

Socle ouvert

Article 709207

Servante pliable à rouleaux