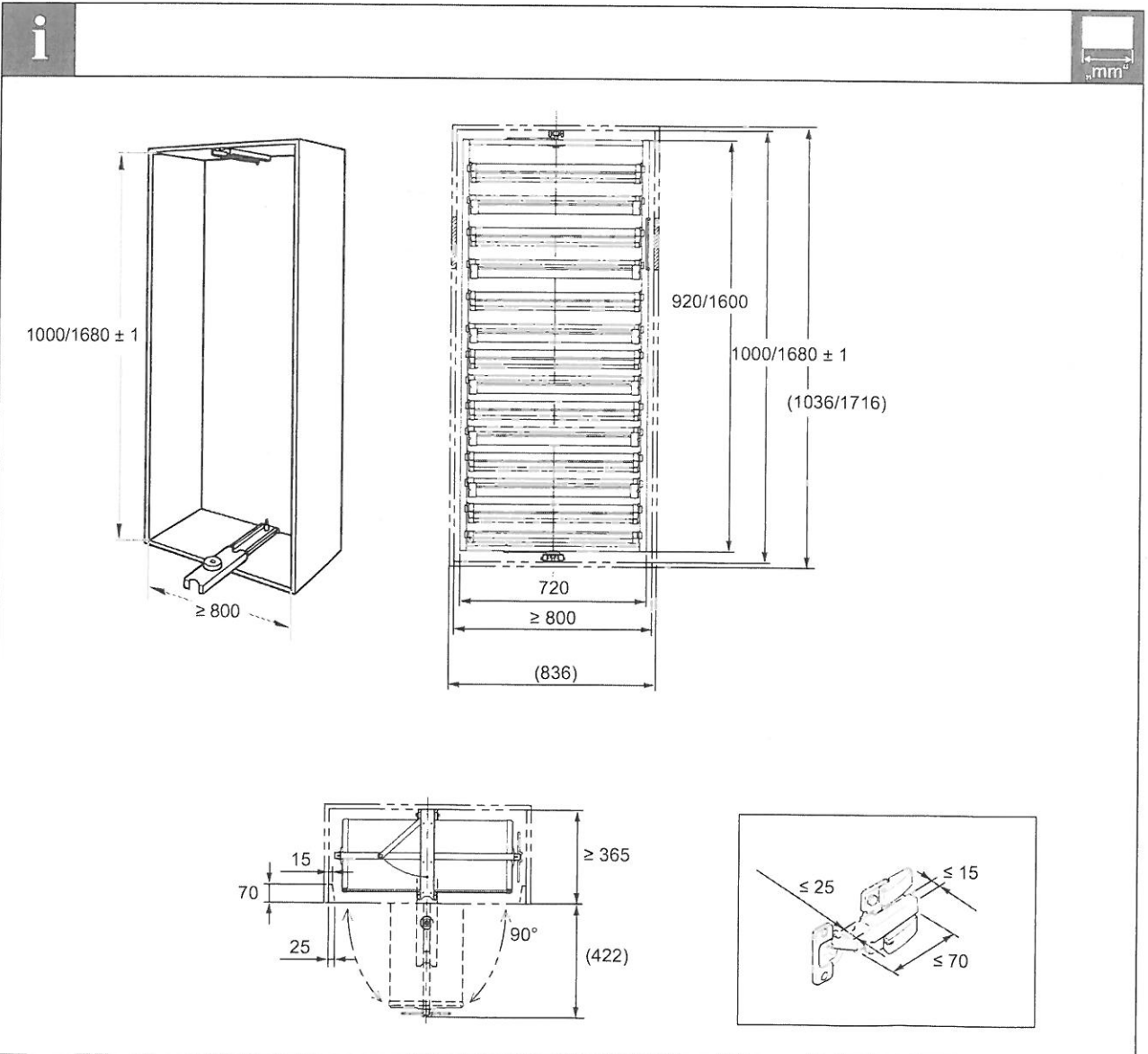
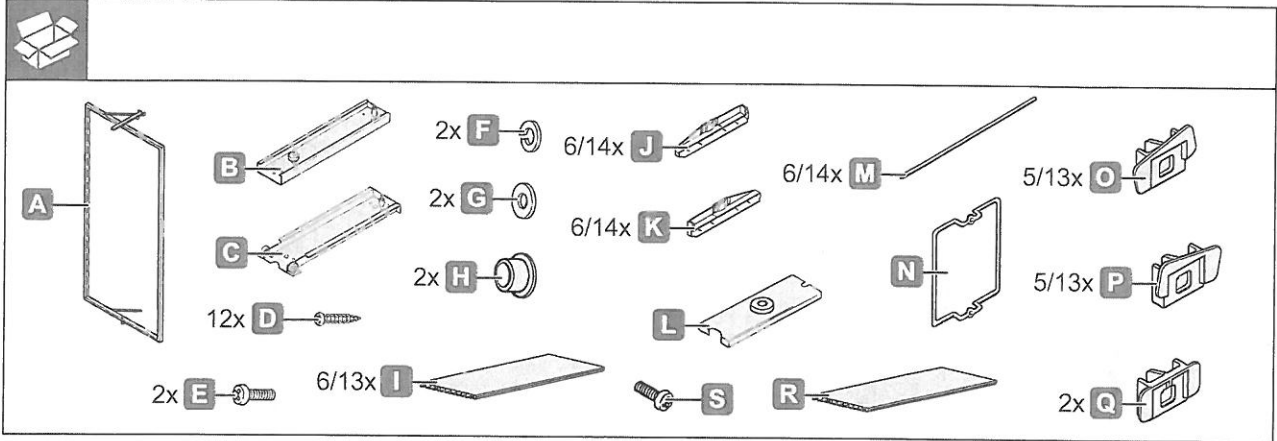




Schuhschrank-Auszug

*Porte Chaussure
extensible et pivotant*

806.22.300
806.22.301

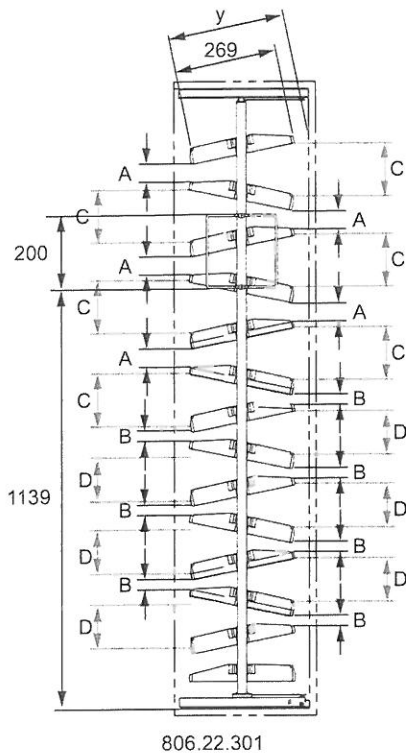


732.28.910

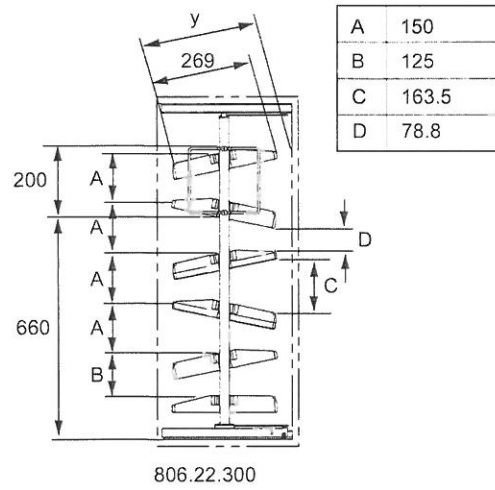
HDE 09/2014

i

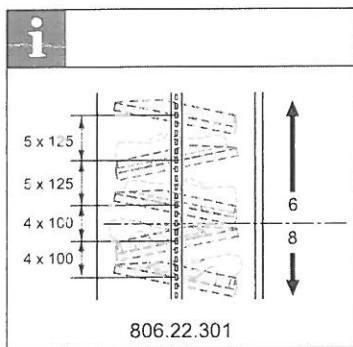
mm



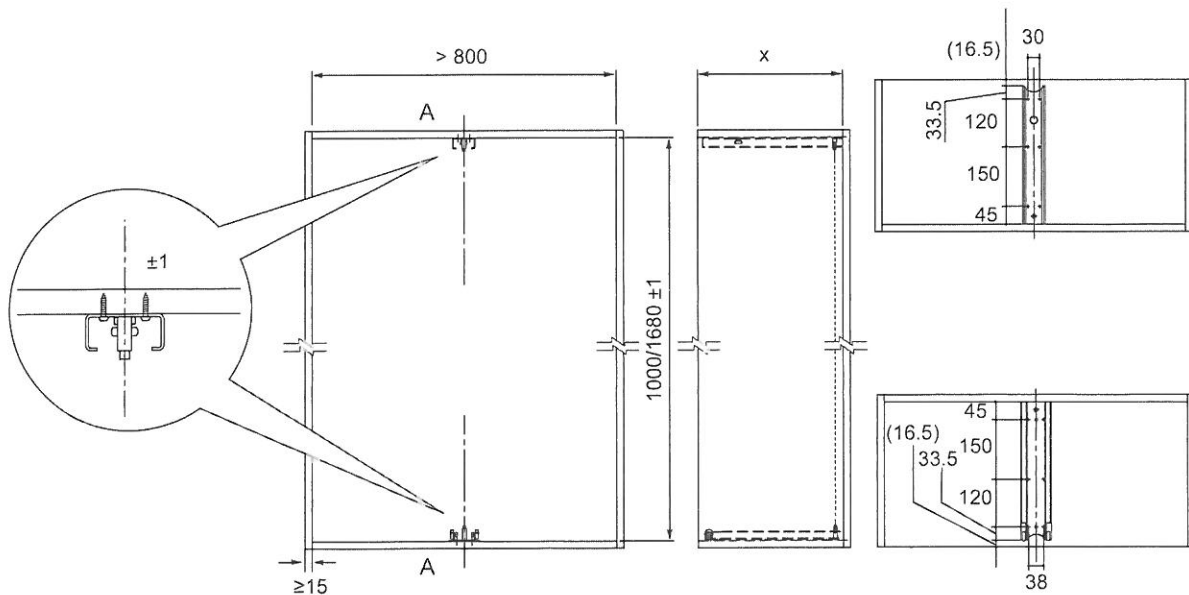
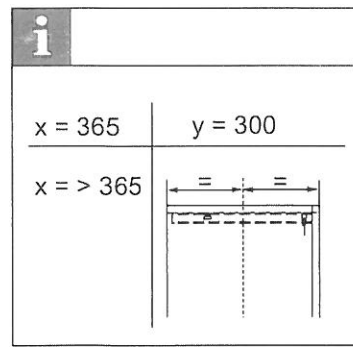
A	53.3
B	28.3
C	138.7
D	113.7



A	150
B	125
C	163.5
D	78.8



806.22.301



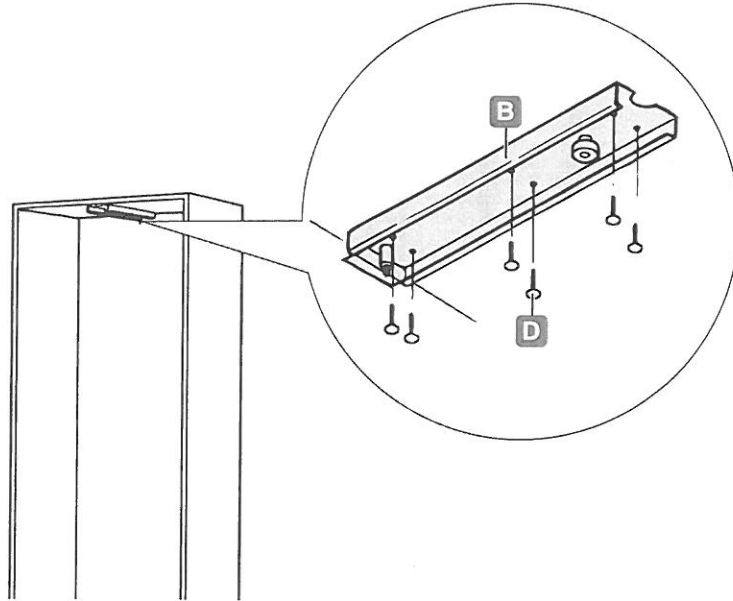
732.28.910

HDE 09/2014

1



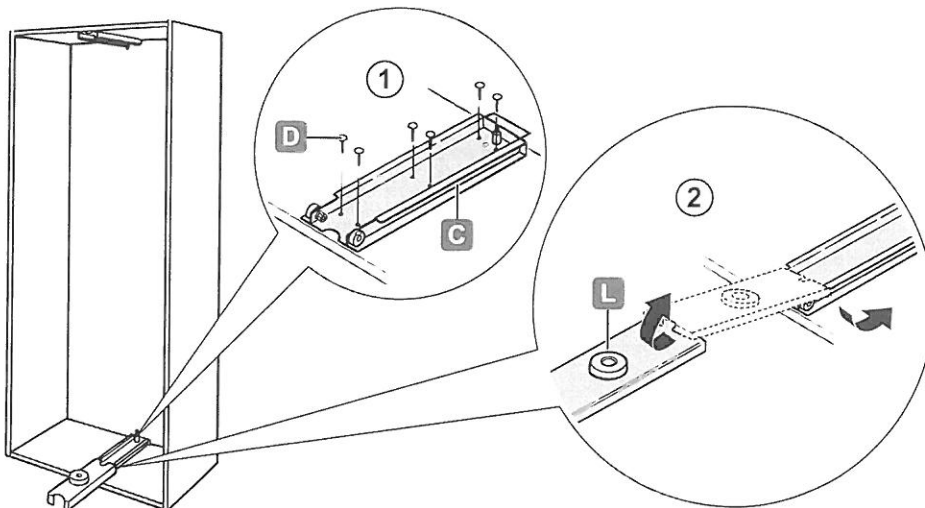
PZ 1/2



2



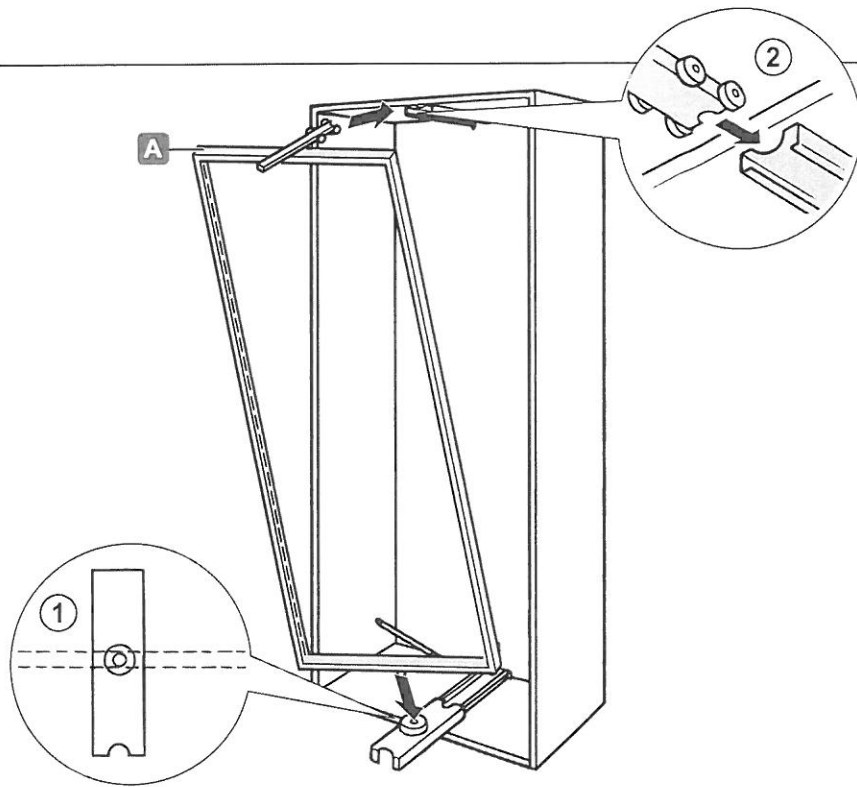
PZ 1/2



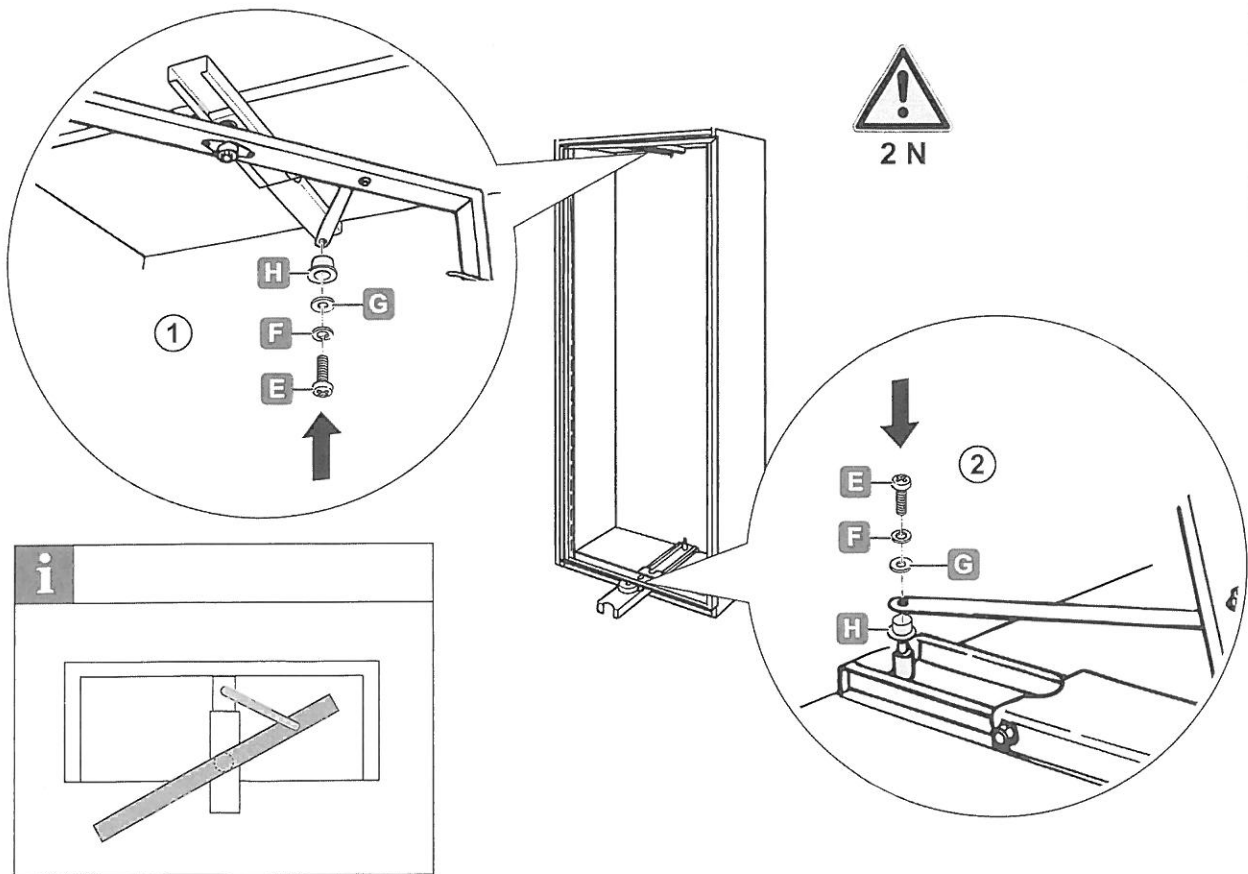
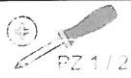
732.28.910

HDE 09/2014

3



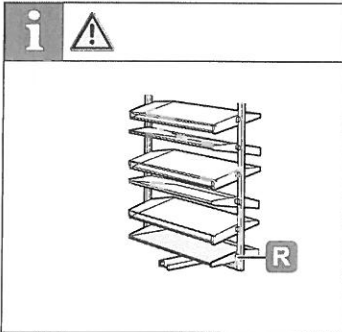
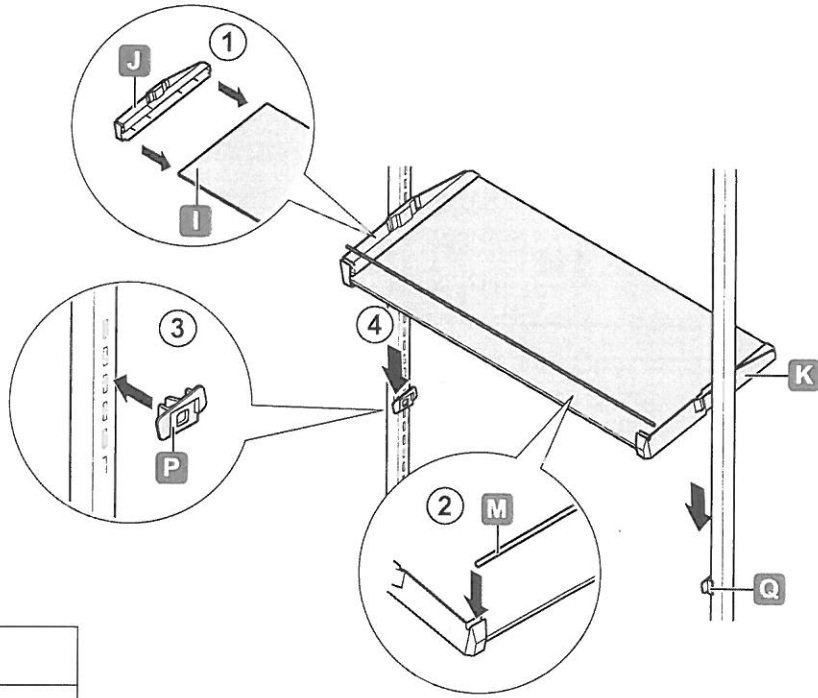
4



732.28.910

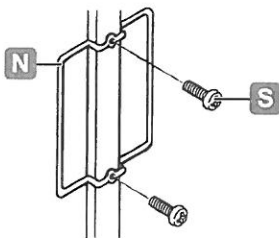
HDE 09/2014

5

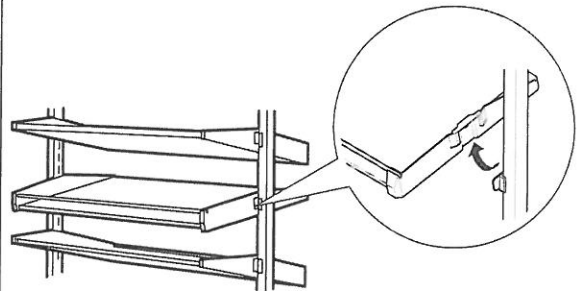


732.28.910





6

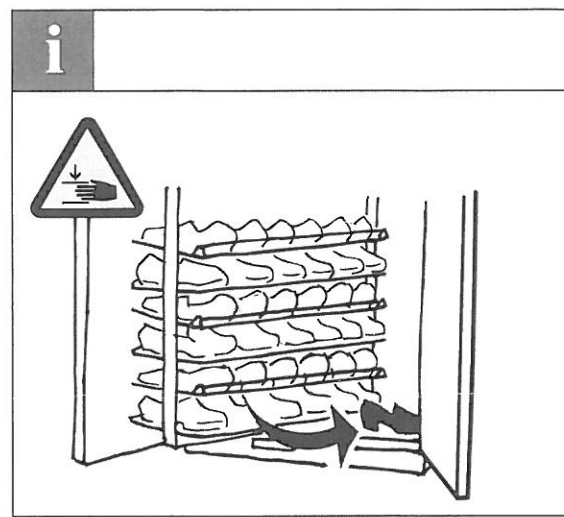
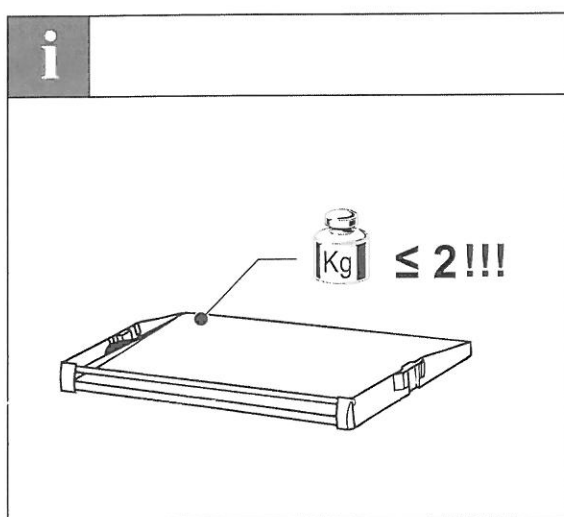


7

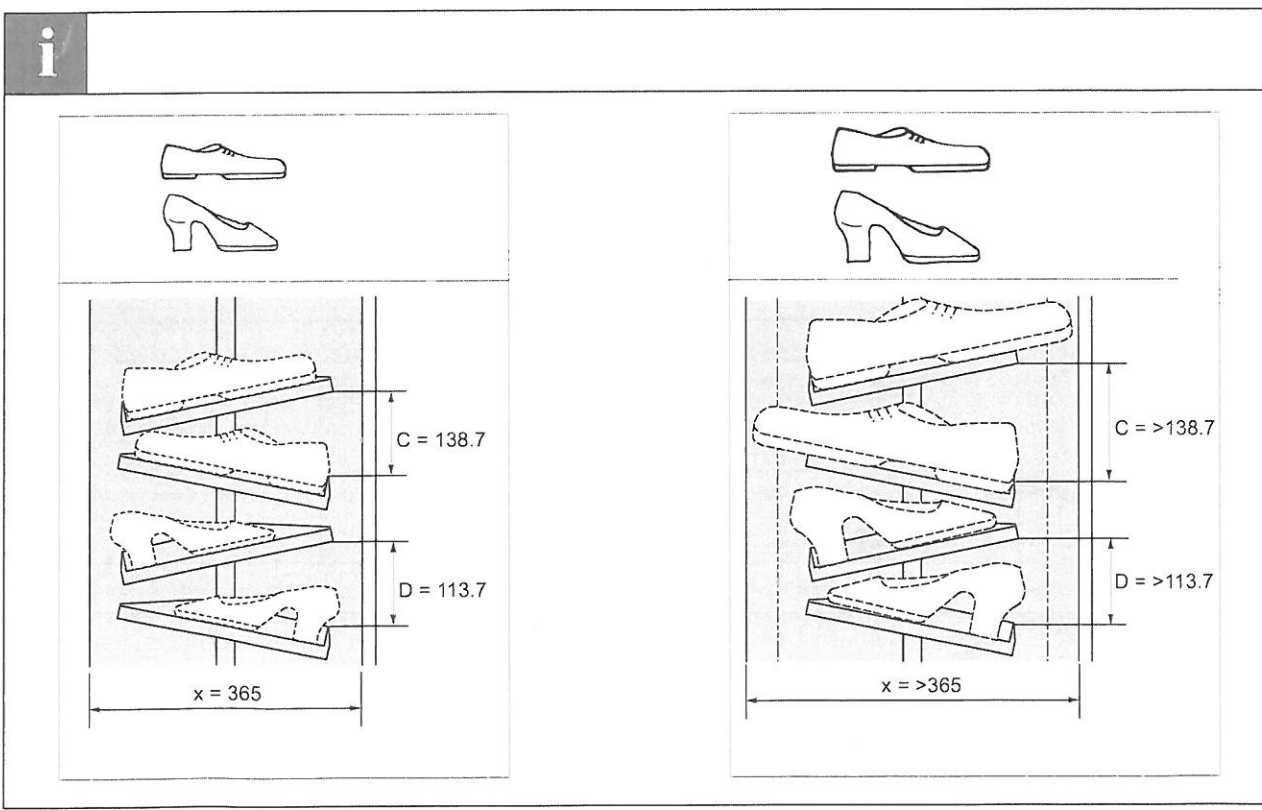


HDE 09/2014

i		mm		
A		H1 ≤ 135	B	
		H2 ≤ 110		
		H1 ≤ 135		H1 ≤ 100
		H2 ≤ 60		H2 ≤ 60
B		H1 ≤ 100	A	
		H2 ≤ 60		
		H1 ≤ 100		H1 ≤ 135
		H2 ≤ 40		H2 ≤ 110



732.28.910



HDE 09/2014