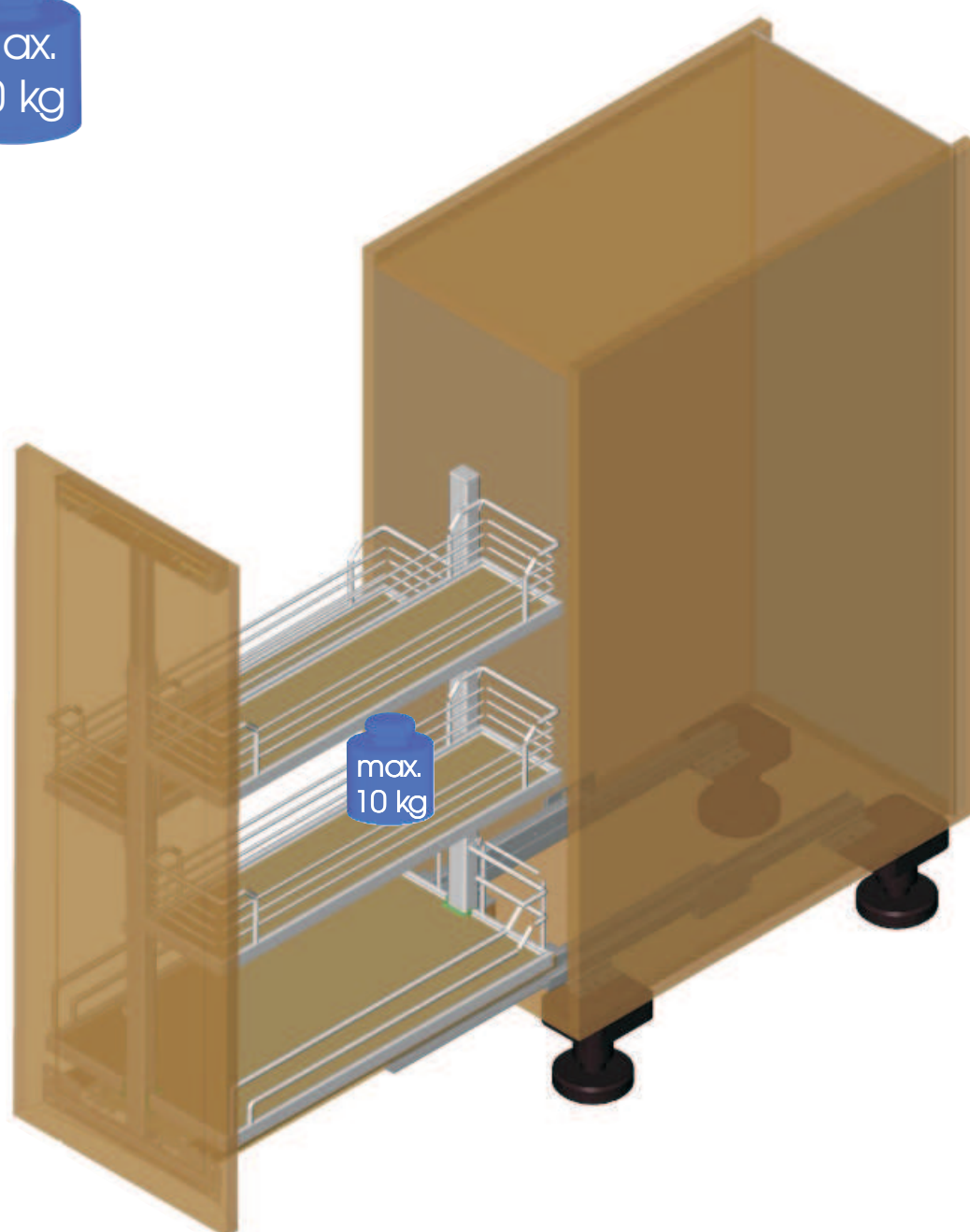


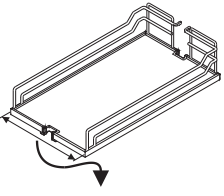
Montageanleitung
“Dispensa Junior”

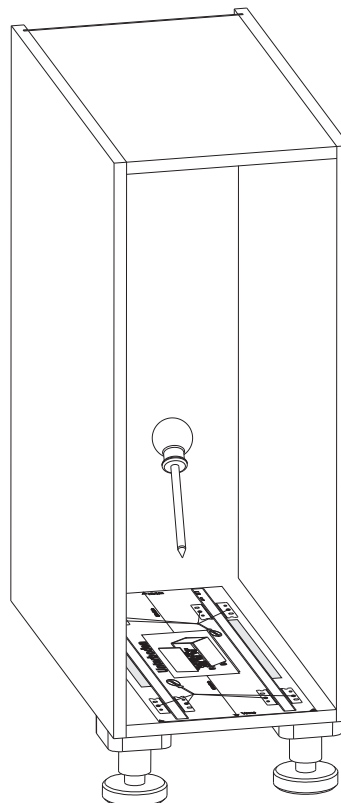
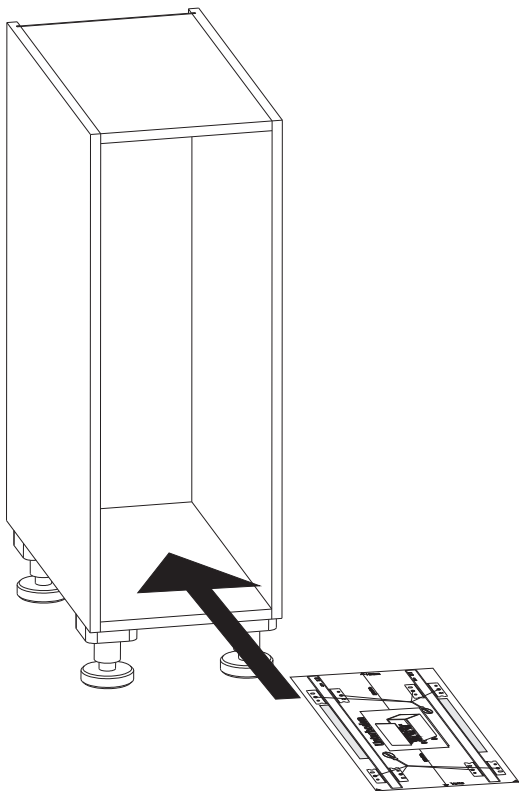
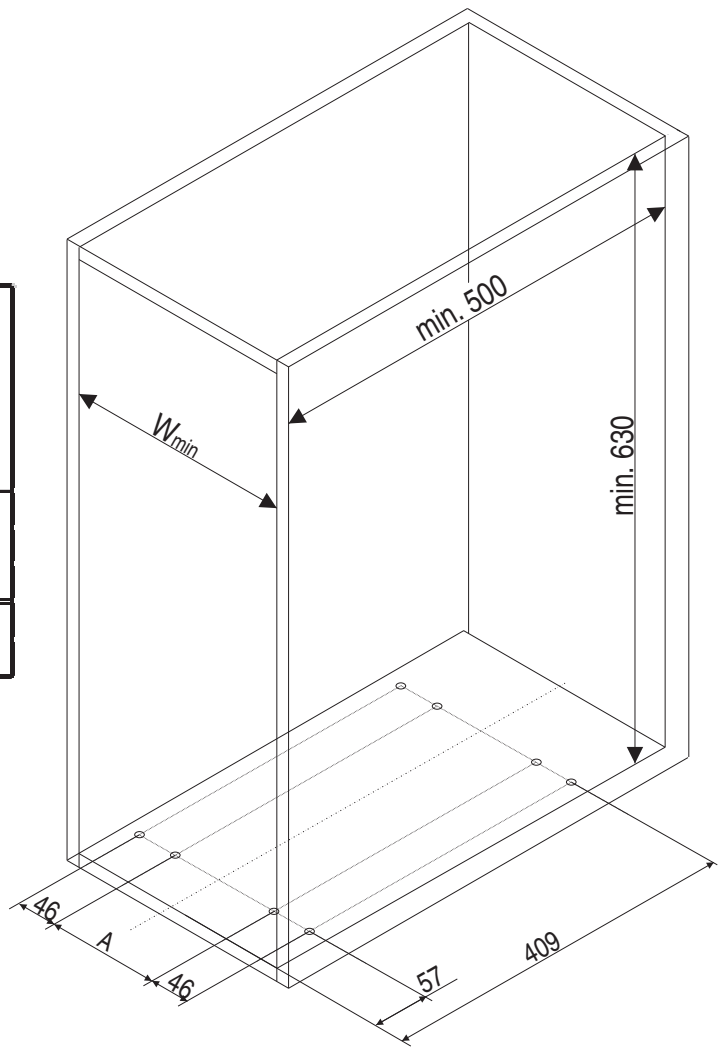
Mounting Instruction
“Dispensa Junior”

max.
40 kg

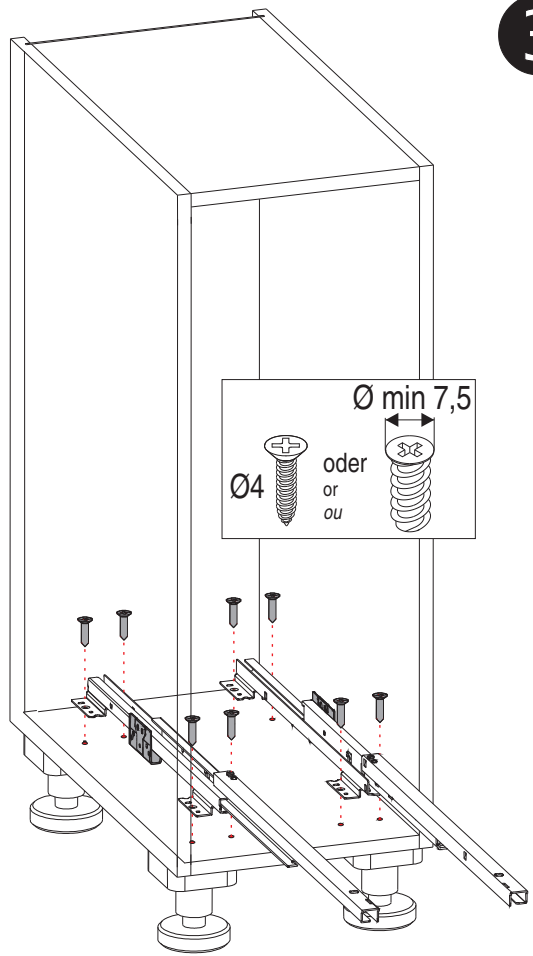


1

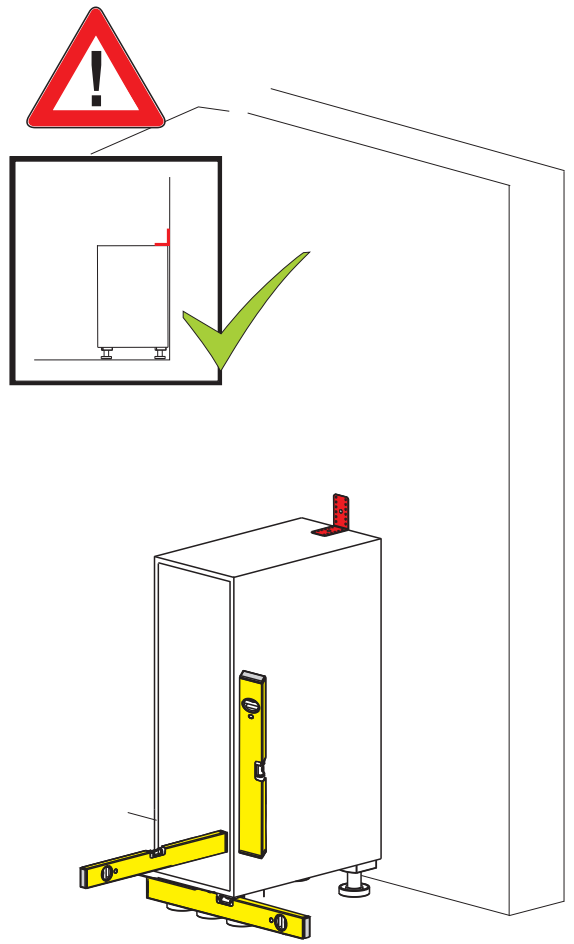
	W_{min}	A
250	260	128
350	360	
400	410	
450	460	320
550	560	



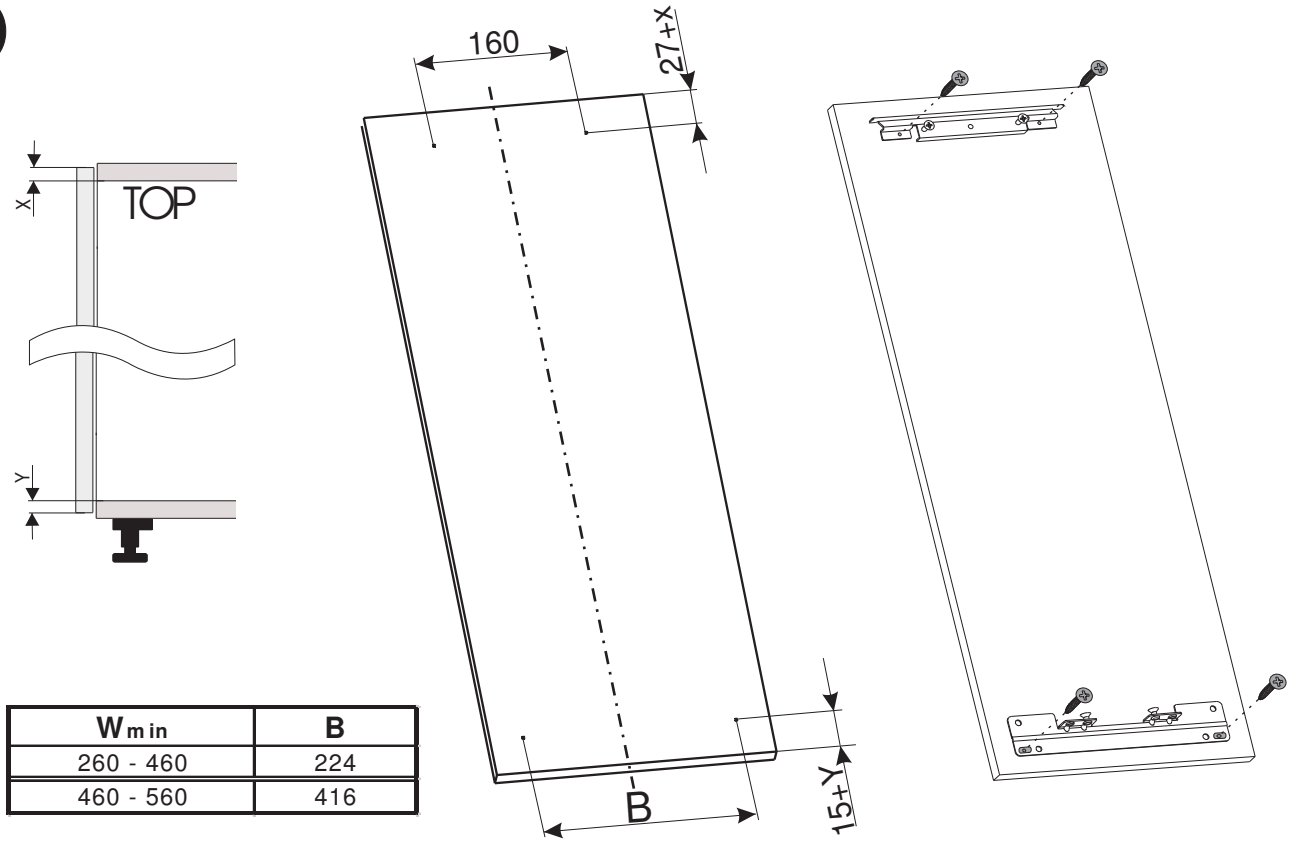
2



3

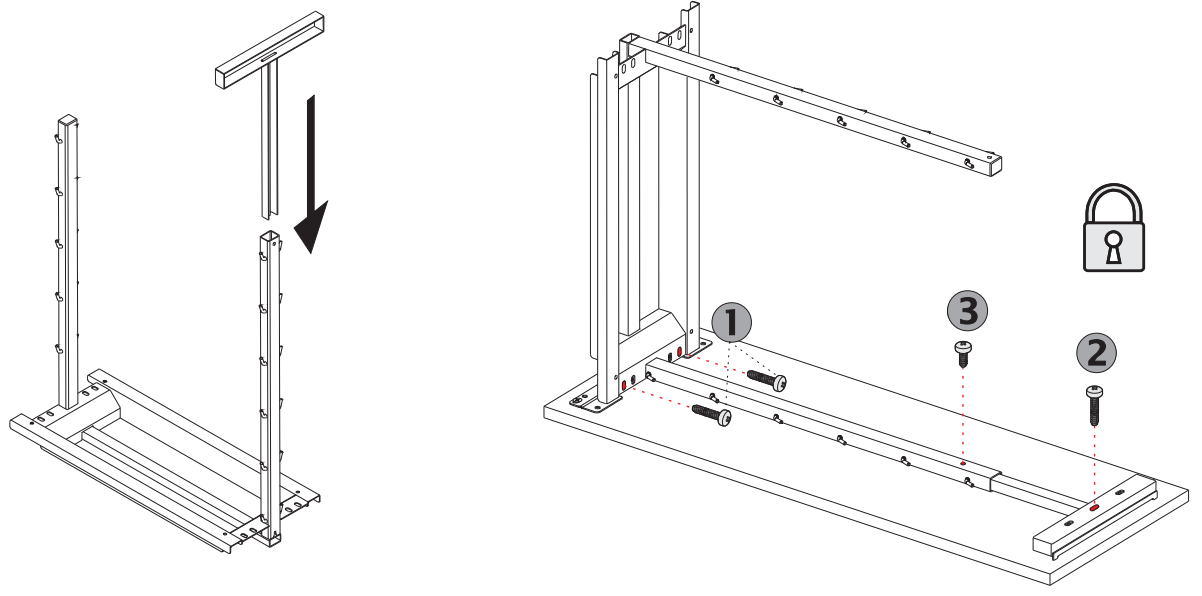


4

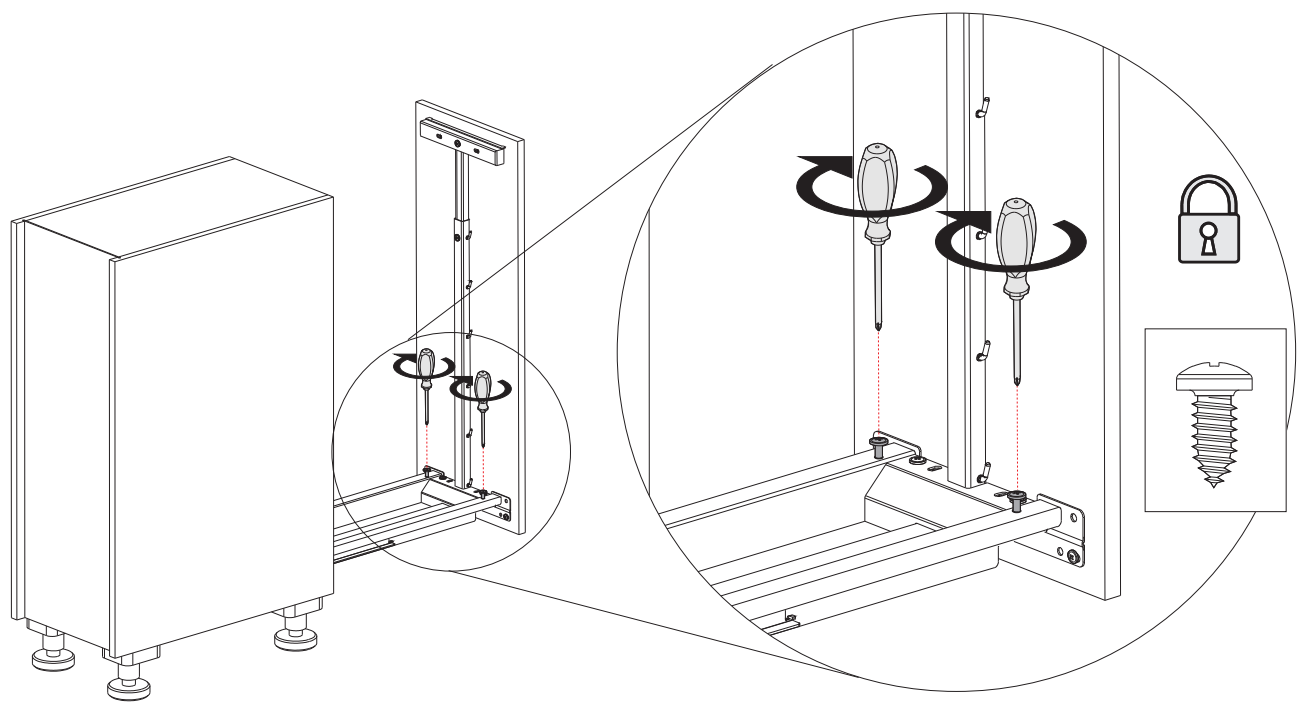
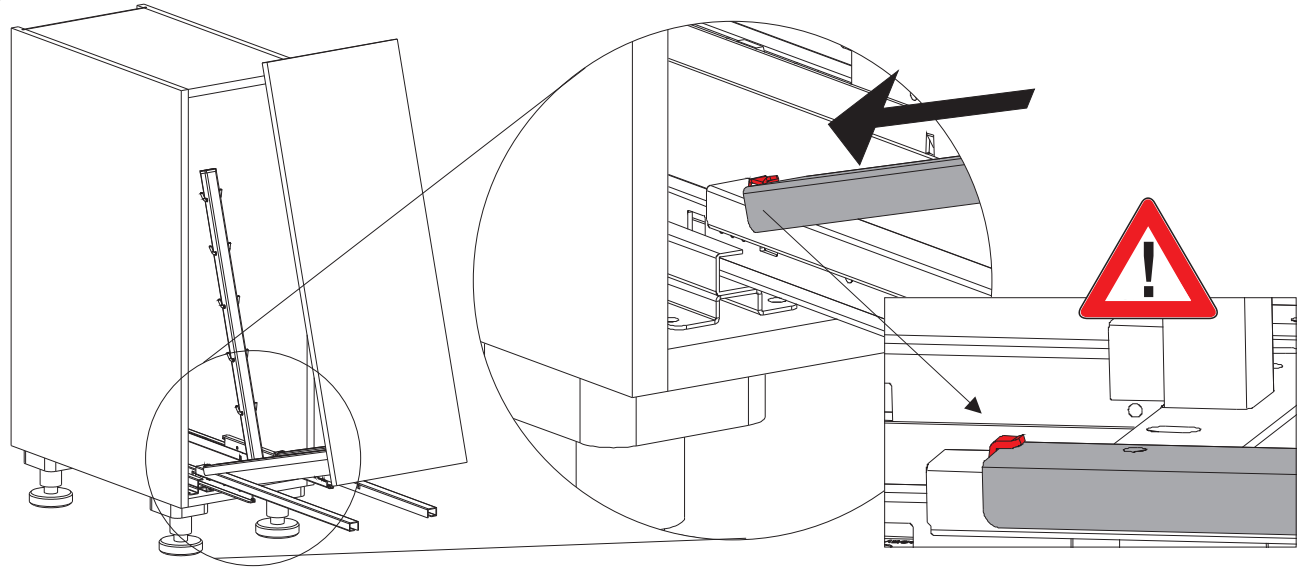


W _{min}	B
260 - 460	224
460 - 560	416

5



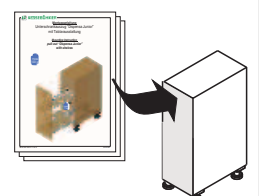
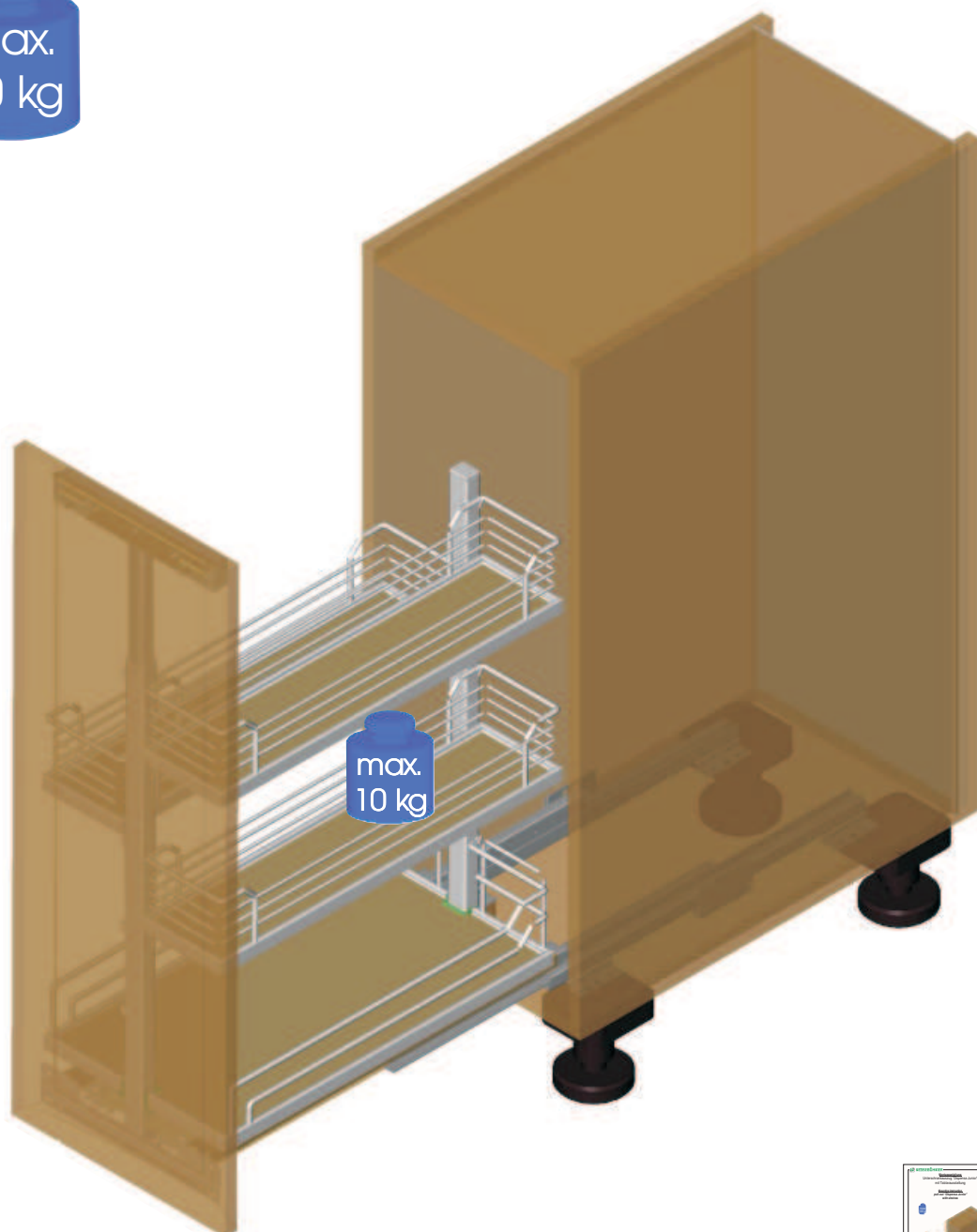
6



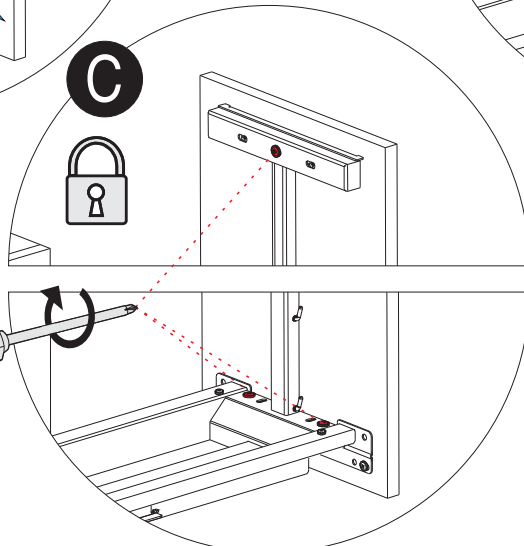
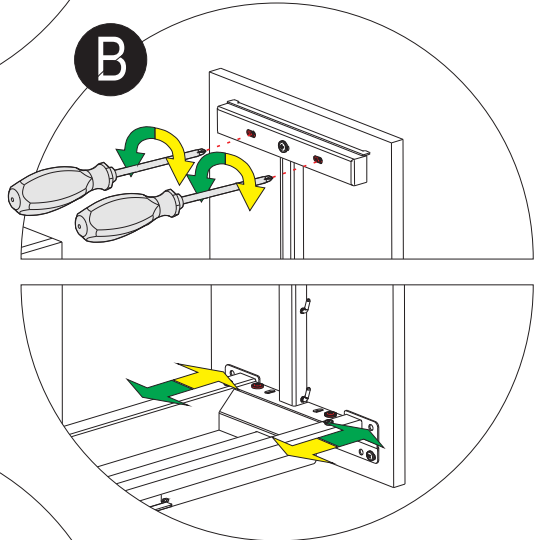
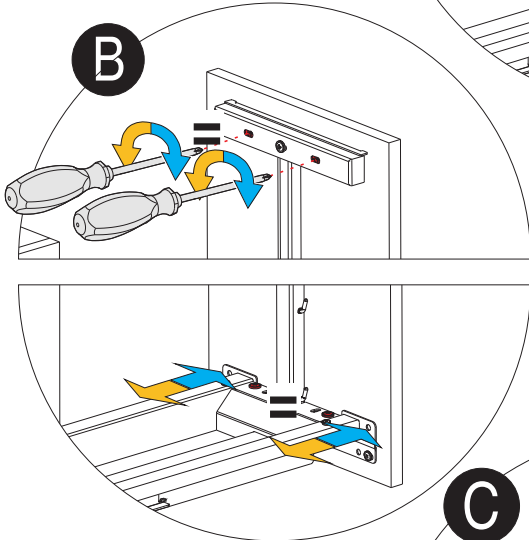
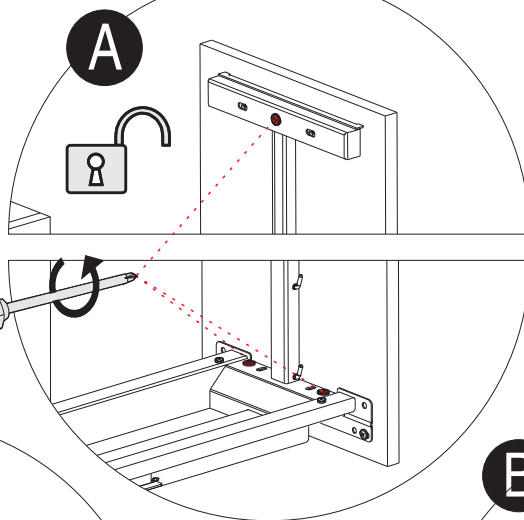
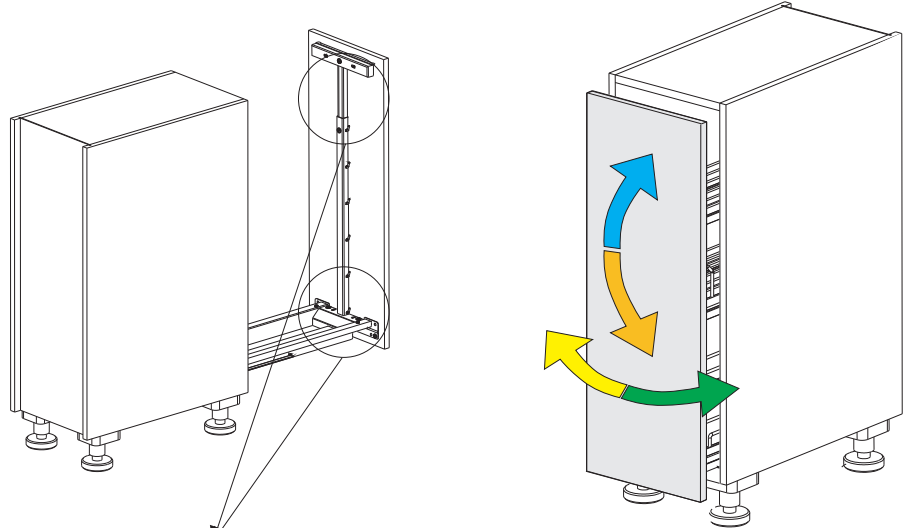
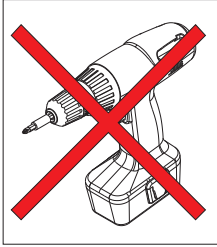
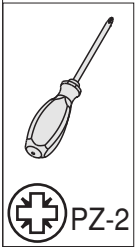
Justieranleitung
“Dispensa Junior”

Adjusting Instruction
“Dispensa Junior”

max.
40 kg



1



2

