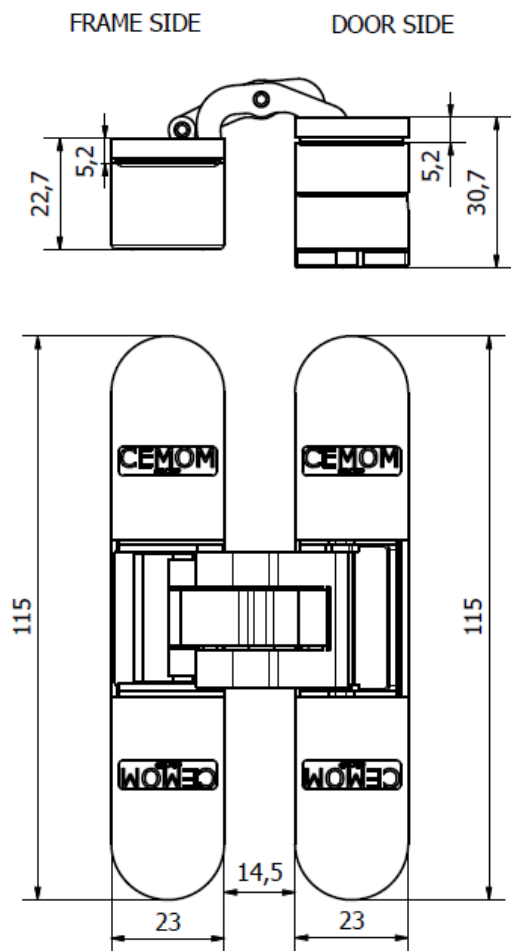


## ESTETIC 4001/A

### Hinge dimensions

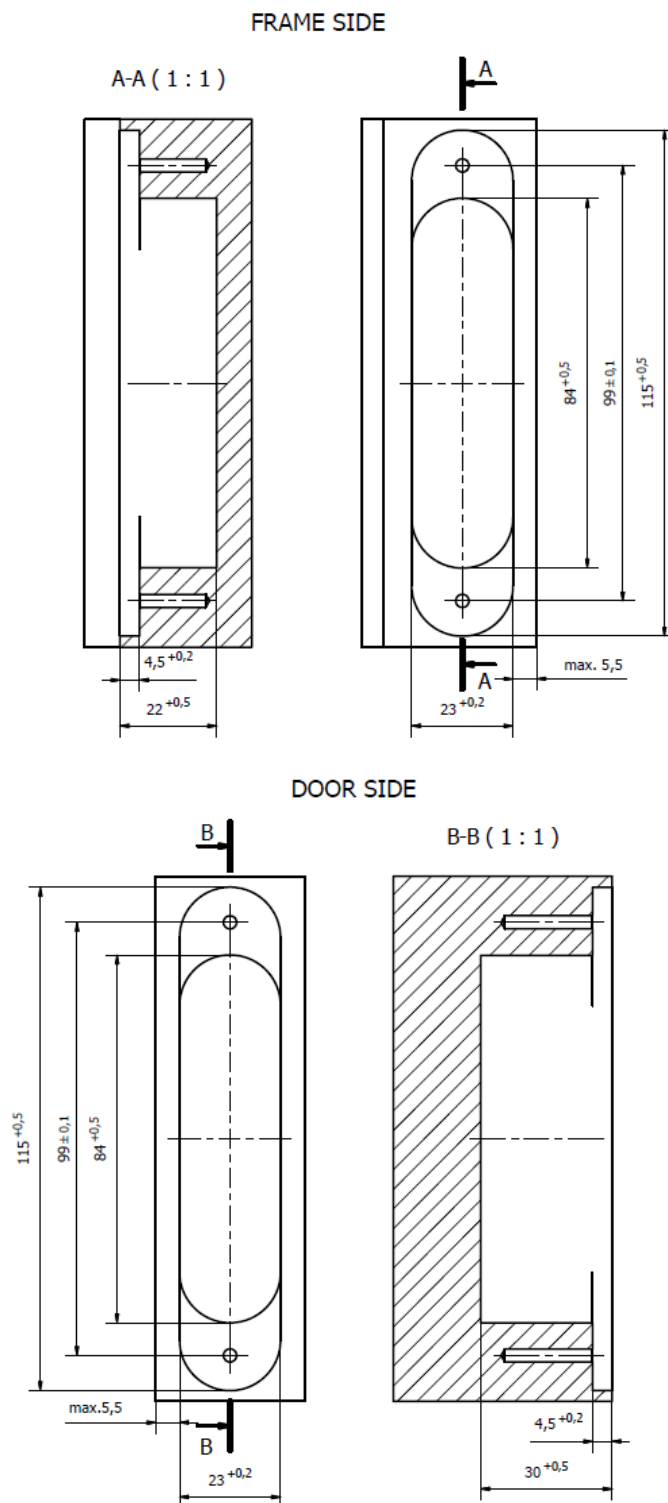


### Load capacity

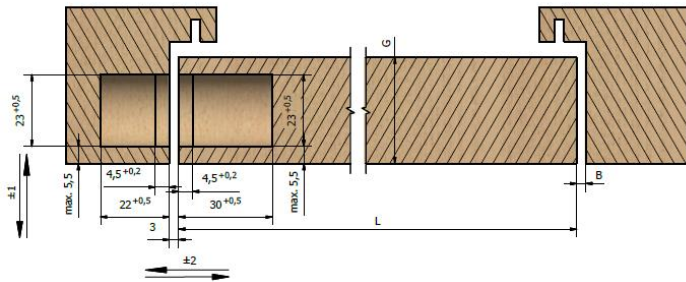
With correct adjustment (all hinges carrying the load), the suggested admissible weight of a door depending on the number of hinges and the door width, at the wing height of 2000 mm minimum has been presented in the table. The first door should always be checked.

Number of hinges	width DOOR "L" [mm]			
	700	800	900	1000
2	77 kg	68 kg	60 kg	54 kg
3	87 kg	77 kg	68 kg	61 kg
4	96 kg	85 kg	75 kg	68 kg

### Milling dimensions



### Position of the hinge in relation to the required dimensions of the door and the frame

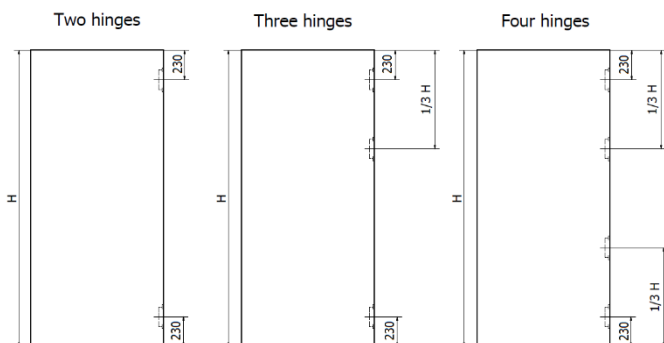


Thickness of the door "G" [mm]	Width of the door "L" [mm]			
	700	800	900	1000
34	3	2	2	2
40	3	3	2	2
50	3	3	3	2

### Fitting

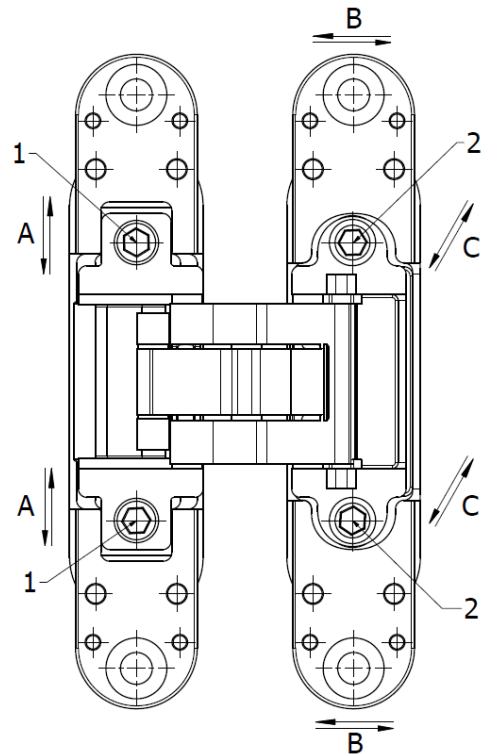
First insert deeper part of hinge marked "DOOR" into the socket in the door in correct position and fix the hinge by screwing two screws d.4,5 x min. 35 mm. Then set the door on the frame by inserting frame part of the hinge into the socket and fix the hinge by screwing two screws d.4,5 x min. 35 mm. Make adjustments in all hinges and at the end insert the front covers to hide all screws. If you need to remove the front covers, do it carefully.

### Arrangement of the hinges



Hmin = 2000

### Adjustments



To make adjustments will be needed 4 mm Allen key. Adjustment is correct when all hinges carrying the load. Make adjustments in all hinges.

A – vertical adjustment – range  $\pm 2$  mm

First make sure that the top adjustment screw (1) is flush with the front surface of the hinge - if not unscrew it for this position. Adjust all hinges by turning bottom adjustment screws (1) alternately by max.  $\frac{1}{2}$  of a turn.

B – depth adjustment – range  $\pm 1$  mm

C – horizontal adjustment – range  $\pm 2$  mm

Depth adjustment and horizontal adjustment takes place simultaneously. Adjust the hinge by turning alternately of both eccentric screws (2). The screws must be screwed in evenly in the insert.

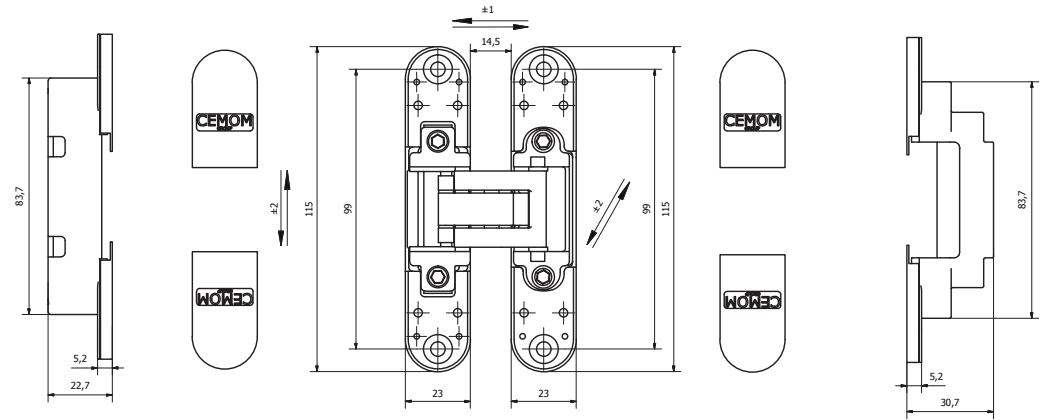
# ESTETIC 4001/A

**REVERSIBLE  
3D ADJUSTABLE  
60 Kg**



## Load capacity ESTETIC 4001/A

		Width of doors			
		700	800	900	1000
Load	Number of hinges	700	800	900	1000
	2	77 kg	68 kg	60 kg	54 kg
Capacity	3	87 kg	77 kg	68 kg	61 kg
	4	96 kg	85 kg	75 kg	68 kg



## Minimum GAP "G"

		Width of doors			
		700	800	900	1000
Minimum GAP "B" mm	Thickness of doors "G"	700	800	900	1000
	34	3	2	2	2
	40	3	3	2	2
	50	3	3	3	2

