

# New MORSadUE+

## 2 wing hinge for windows

In accordance with the standard EN 1935

A	B	C	D	E	F	H
2	7	3	0	1	4	10

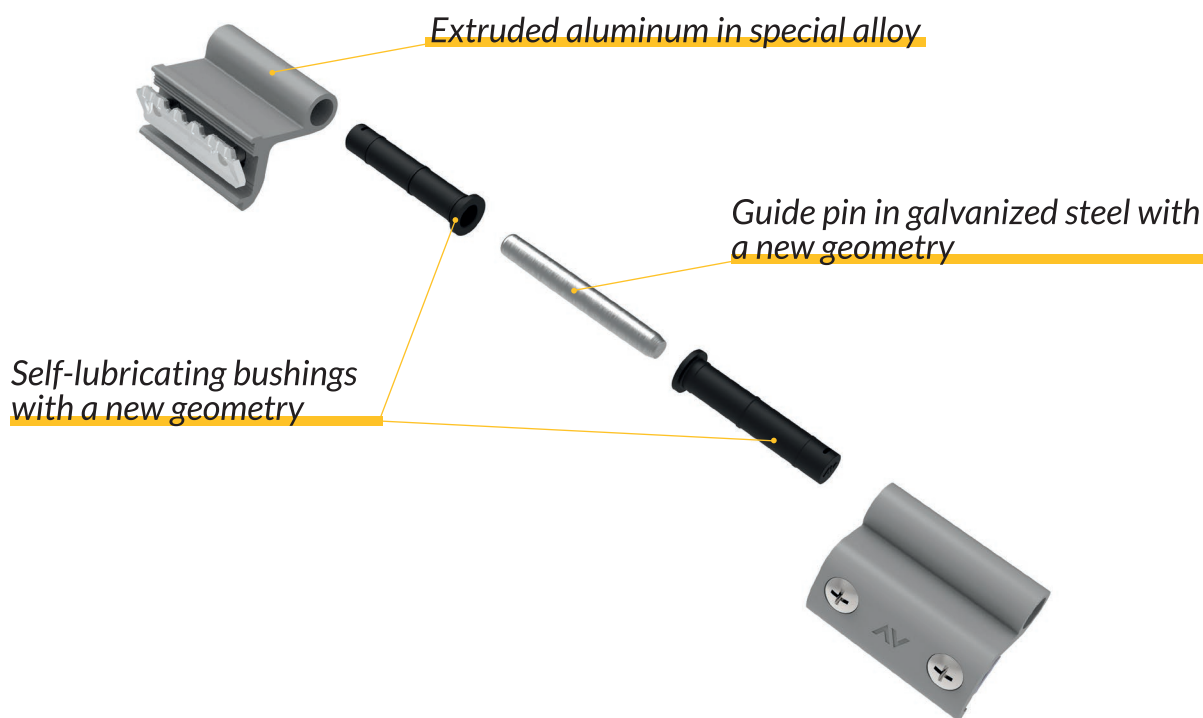
Weight capacity of 2 hinge: **75 Kg**

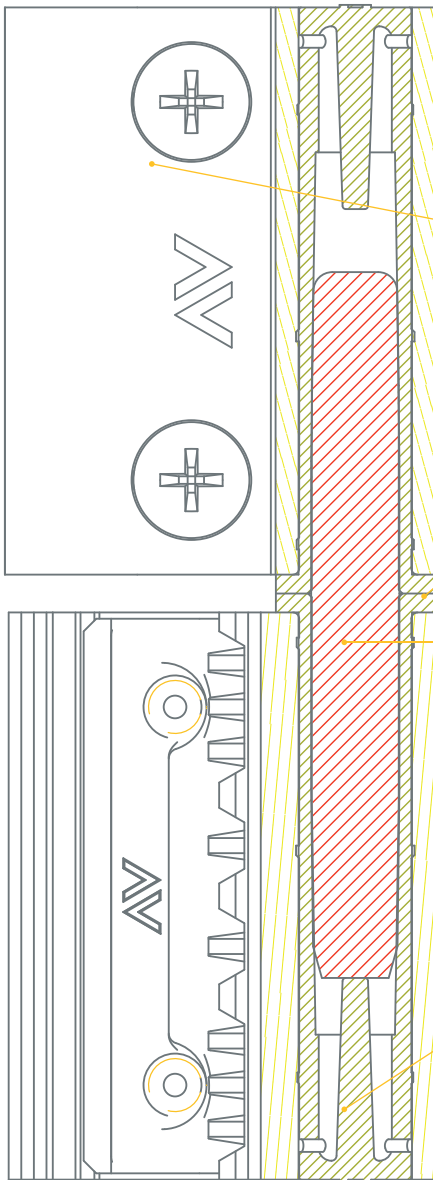
Weight capacity of 3 hinges: **85 Kg**

### The hinge that increases the weight capacity

Self-lubricating bushings with a new geometry

- Extruded aluminum in special alloy
- **Guide pin in galvanized steel with a new geometry**
- Pin / bushing coupling highly strict to eliminate any flexure
- Pin entirely protected by the bushing to increase corrosion resistance
- **Bushing equipped with a pin support bracket**





**Special aluminum alloy for supporting loads**

**Pin / bushing coupling highly strict to eliminate any flexure**

**Pin entirely protected by the bushing to increase corrosion resistance**

**Bushing equipped with a pin support bracket**

## Weight capacity increase

2 hinge weight capacity: **75 Kg**

3 hinge weight capacity: **85 Kg**

Max height: **2000 mm**

Max width: **1000 mm**

Classification according to the standard EN 1935 concerning to accessories for doors and windows and single axis hinges

A	B	C	D	E	F	G	H
2	7	3	0	1	4	0	10

A	Degree of use (4 levels)	2 = Medium use
B	Category by number of cycles tested	3 = 10.000, 7 = 200.000
C	Accessory weight capacity	3 = 60 Kg
D	Fire resistance	0 = not tested, 1 = tested
E	Passive safety	1 = safe
F	Corrosion resistance (5 degrees)	4 = very high resistance
G	Anti-burglary security	0 = not suitable, 1 = suitable
H	Overall level (0 up to 14)	10