

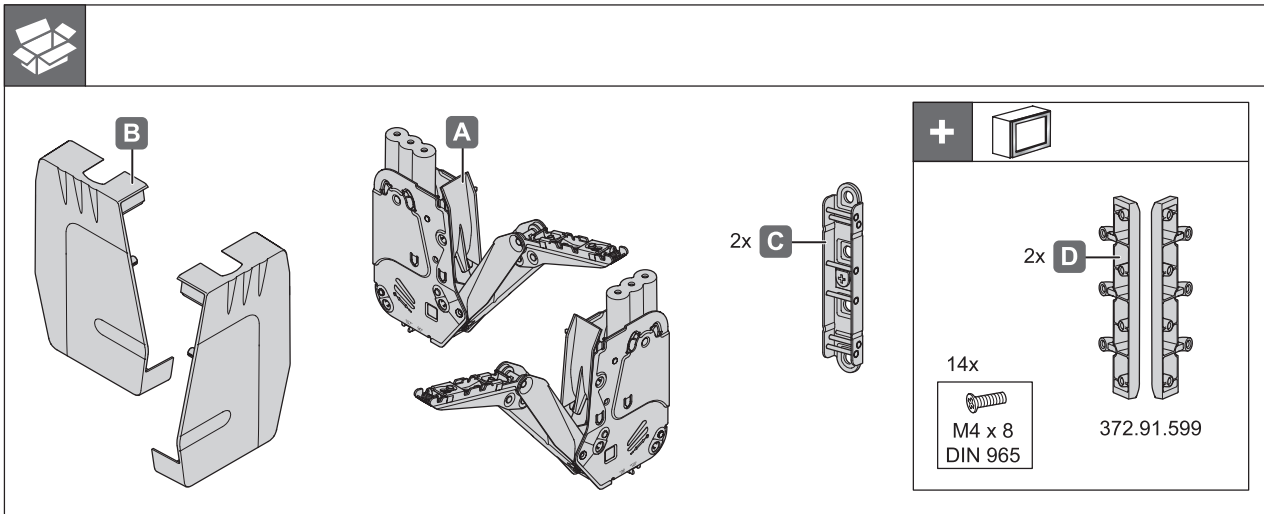


Free Flap 3.15

www.hafele.com

372.91.xxx

#W7Q



732.23.010

12.0001.010.380.0000.00

HDE 19.12.2012

				RAL 9003	RAL 7035	RAL 9003	RAL 7035
	400	D	4,7 - 9,6	372.91.730	372.91.330	372.91.710	372.91.310
		E	5,9 - 12,4	372.91.731	372.91.331	372.91.711	372.91.311
		F	8,9 - 18,6	372.91.732	372.91.332	372.91.712	372.91.312
	450	G	11,8 - 23,3	372.91.733	372.91.333	372.91.713	372.91.313
		D	4,1 - 8,4	372.91.730	372.91.330	372.91.710	372.91.310
		E	5,2 - 10,9	372.91.731	372.91.331	372.91.711	372.91.311
	500	F	7,8 - 16,3	372.91.732	372.91.332	372.91.712	372.91.312
		G	10,4 - 20,5	372.91.733	372.91.333	372.91.713	372.91.313
		D	3,7 - 7,5	372.91.730	372.91.330	372.91.710	372.91.310
	550	E	4,7 - 9,7	372.91.731	372.91.331	372.91.711	372.91.311
		F	7,0 - 14,6	372.91.732	372.91.332	372.91.712	372.91.312
		G	9,2 - 18,3	372.91.733	372.91.333	372.91.713	372.91.313
600	D	3,3 - 6,8	372.91.730	372.91.330	372.91.710	372.91.310	
	E	4,2 - 8,8	372.91.731	372.91.331	372.91.711	372.91.311	
	F	6,3 - 13,2	372.91.732	372.91.332	372.91.712	372.91.312	
600	G	8,3 - 16,5	372.91.733	372.91.333	372.91.713	372.91.313	
	D	3,0 - 6,2	372.91.730	372.91.330	372.91.710	372.91.310	
	E	3,8 - 8,0	372.91.731	372.91.331	372.91.711	372.91.311	
600	F	5,7 - 12,0	372.91.732	372.91.332	372.91.712	372.91.312	
	G	7,6 - 15,0	372.91.733	372.91.333	372.91.713	372.91.313	

i

Y	X
16	83
19	74
22	64
26	52
28	46

„mm“

1

„mm“

2

5 mm

9 mm

„mm“

B^*

$* B = A - 5,5$
 $B \text{ min.} = 7,0$
 $B \text{ max.} = 13,5$

Ø9

6,5

32

32

i

A

24,5

24,5

32

32

32

32

32

32

A+15,5

A+15,5

i

$A = K - F$

A

F

Ø9

6,5

K

B

Ø7,8

90°

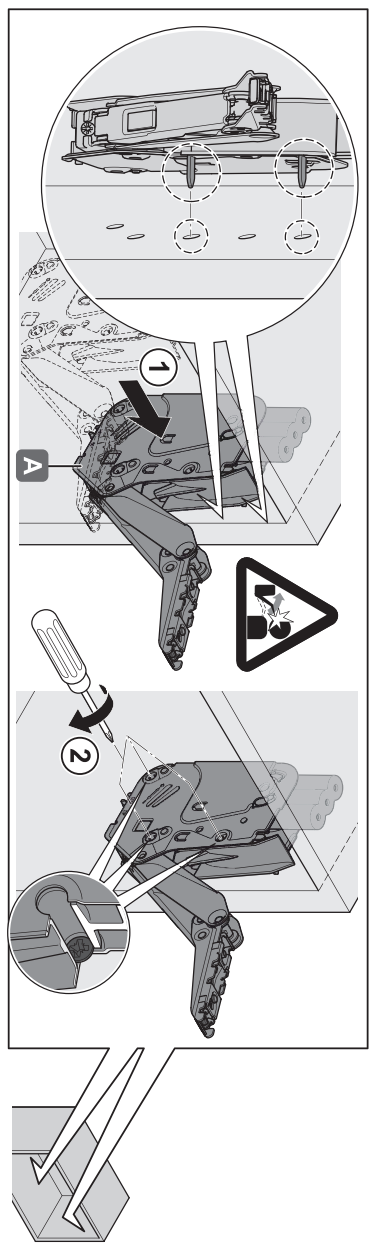
Euro ø 6,3

732.23.010

12.0001.010.380.0000.00

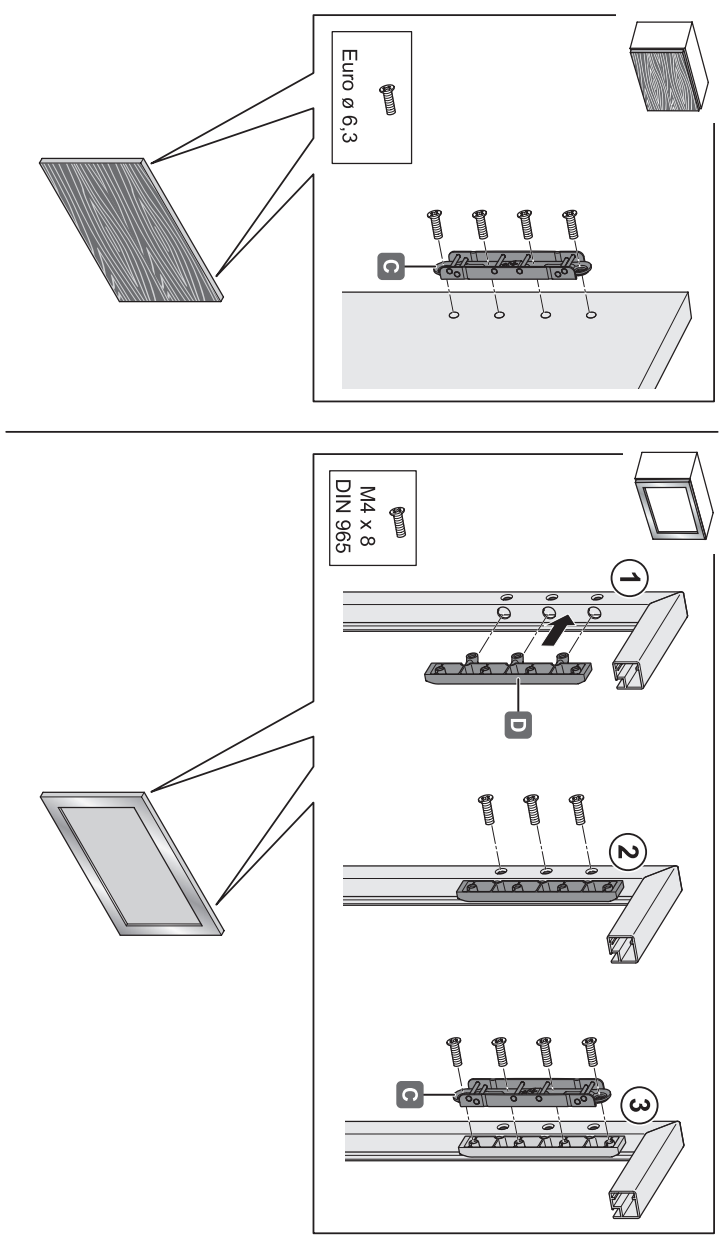
HDE 19.12.2012

3  PZ 2

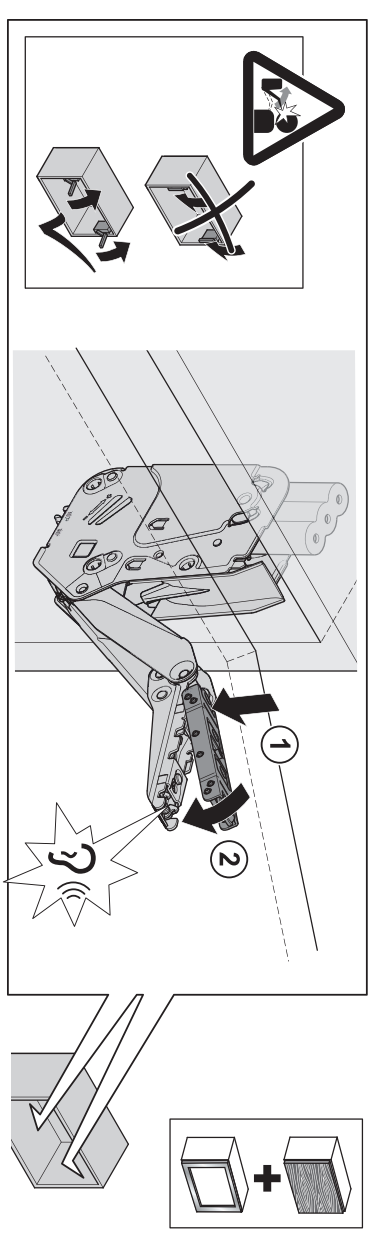


4  PZ 2

4 mm



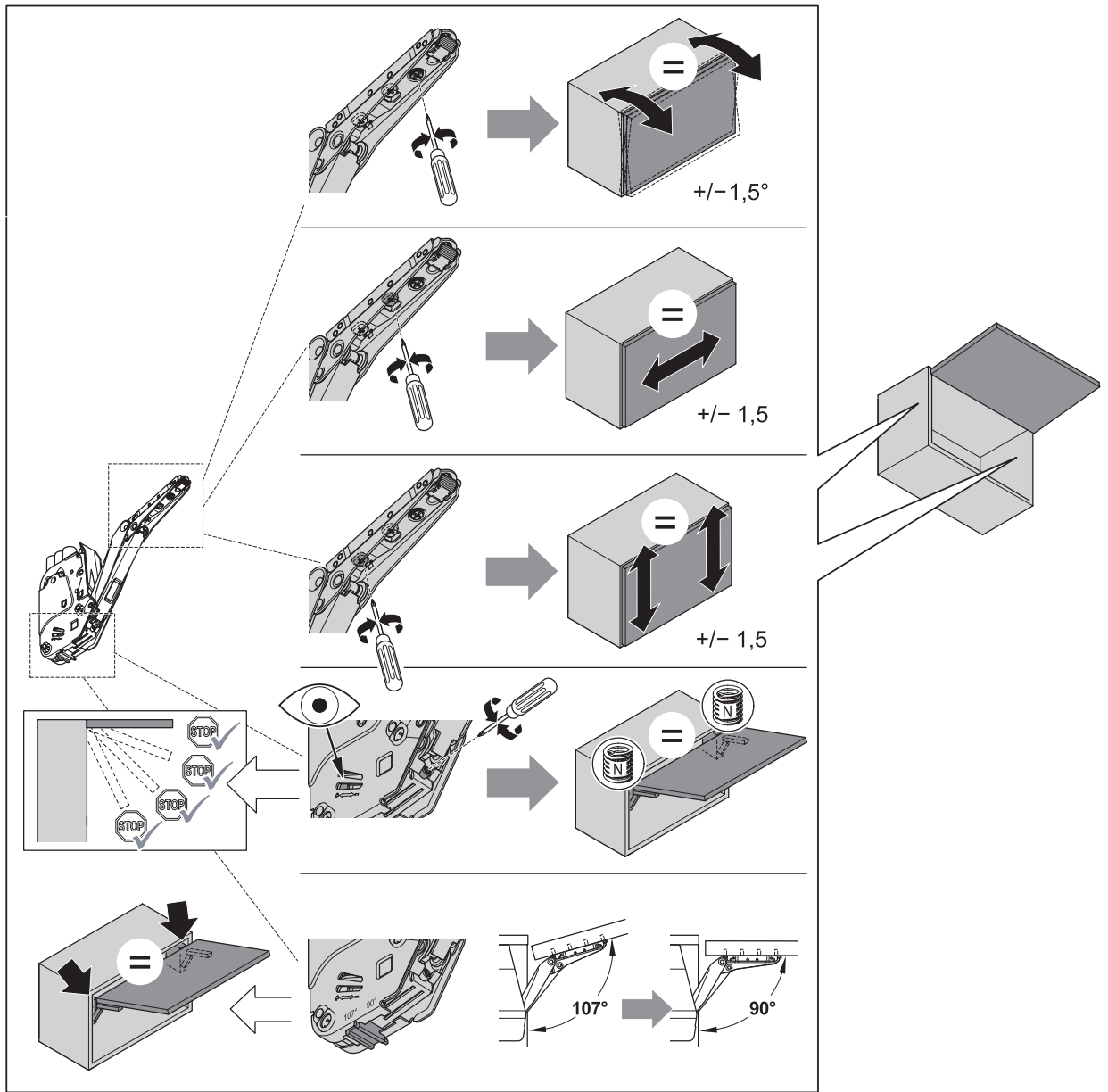
5



6

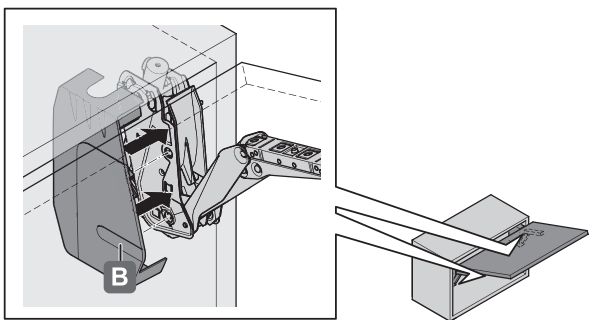


mm

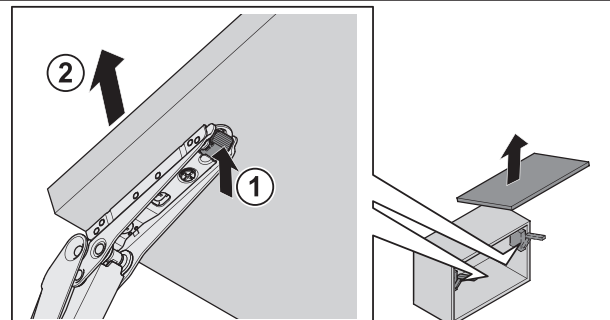


732.23.010

7



i



12.0001.010.380.0000.00

HDE 19.12.2012